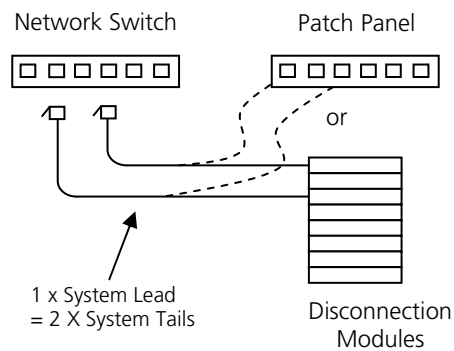
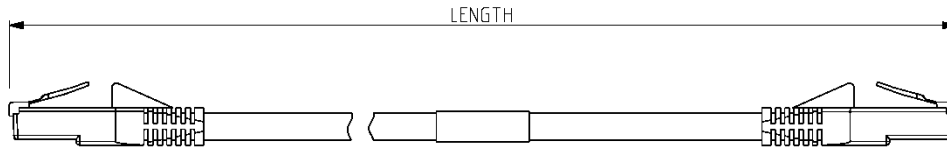


# ADC Structured Cabling Solutions

## Systems Leads – Category 6

Issue 2



System leads are made from solid conductor materials with an RJ45 plug on each end. Better Insertion Loss than patch cords. Patented impedance matching for zero-bit errors.

System leads are cut "in half" on site to suit the required installation lengths so the ordering length must be 2 X installed length plus an installation allowance length

### Compliances

TIA-EIA568-B.2-1 Cat 6 Horizontal Cable Requirements

ISO-IEC 11801 Class E Requirements

### Ordering Information

Description	Quantity	Colour	Product No.
C6 UTP System Lead 6m	Each	Grey	6451 2 299-06B
C6 UTP System Lead 10m	Each	Grey	6451 2 299-10B
C6 UTP System Lead 20m	Each	Grey	6451 2 299-20B
C6 UTP System Lead 30m	Each	Grey	6451 2 299-30B
C6 UTP System Lead 40m	Each	Grey	6451 2 299-40B
C6 UTP System Lead 50m	Each	Grey	6451 2 299-50B

\*KRONE Communications Ltd. is now ADC India Communications Ltd.

[www.adc.com/in](http://www.adc.com/in) • 1800 425 8232



ADC Telecommunications, Inc., P.O. Box 1101, Minneapolis, Minnesota USA 55440-1101  
 Specifications published here are current as of the date of publication of this document. Because we are continuously improving our products, ADC reserves the right to change specifications without prior notice. At any time, you may verify product specifications by contacting our headquarters office in Minneapolis. ADC Telecommunications, Inc. views its patent portfolio as an important corporate asset and vigorously enforces its patents. Products or features contained herein may be covered by one or more U.S. or foreign patents. An Equal Opportunity Employer

6451 2 299-XXBIN / Issue 2 © 2010 ADC Telecommunications, Inc. All Rights Reserved.

SPEC SHEET