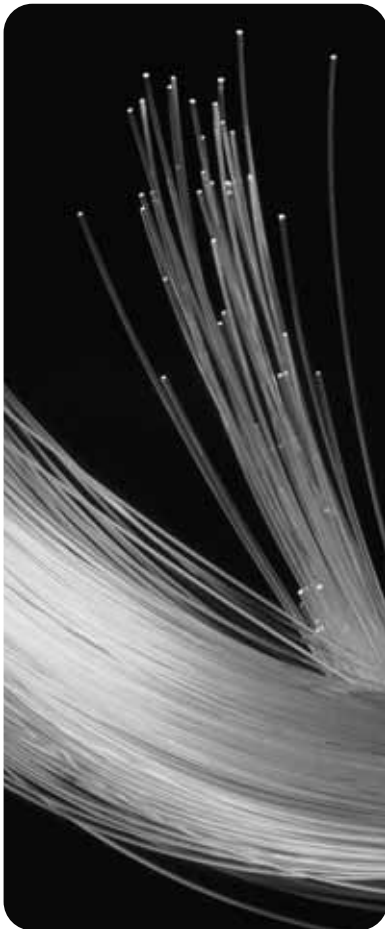


## Wall Mount Boxes



FL1000 Two Door Wall Boxes—12, 24 and 48-Fibre Capacity	
Termination/Splice Wall Mount Boxes .....	5.2
Accessories .....	5.4
Termination/Splice Wall Mount Box with MTRJ Adapters .....	5.5

# Wall Box Solutions

## FL1000 Two Door Wall Boxes

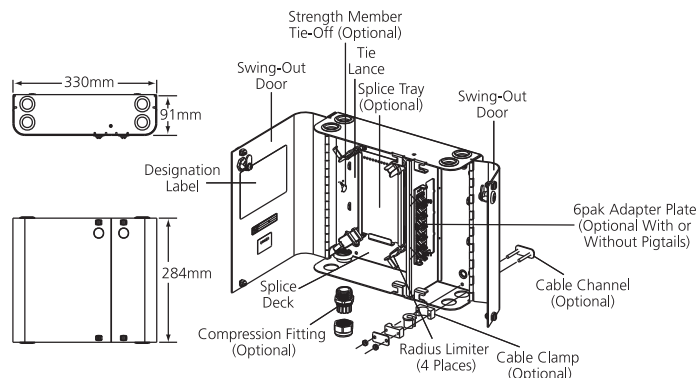
The FL1000 two door wall mount boxes feature a unique design and many integrated features:

- Multiple, configurable locking options that allow users and service providers separate access for security
- Acceptance of strength member tie-off hardware
- Acceptance of cable clamps at each corner

Grounding screws, mounting screws, and dust caps are included with each panel. More accessories are available.

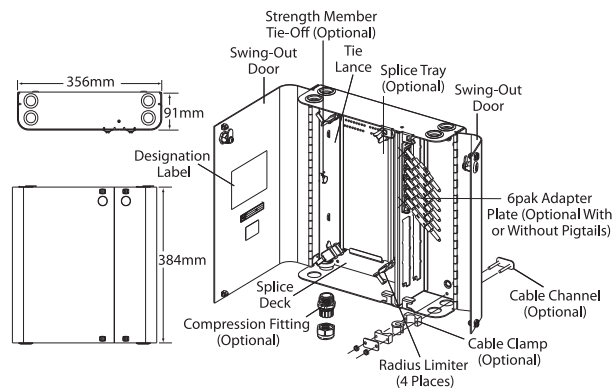
### 12-Position Termination/Splice Wall Box

Dimensions: 284mm x 330mm x 91mm (11.2" x 13.0" x 3.6")



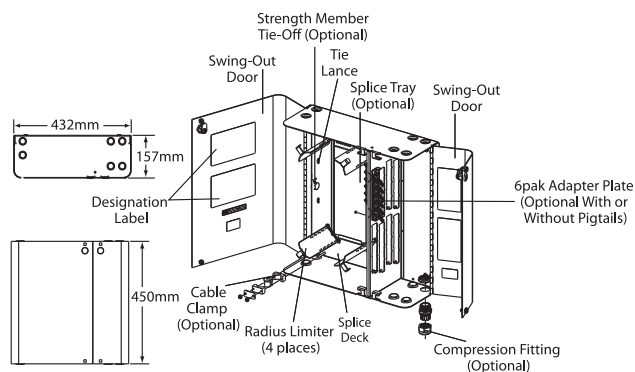
### 24-Position Termination/Splice Wall Box

Dimensions: 384mm x 356mm x 91mm (15.1" x 14.0" x 3.6")



### 48-Position Termination/Splice Wall Box

Dimensions: 450mm x 432mm x 157mm (17.7" x 17.0" x 6.2")



# Wall Box Solutions

## FL1000 Two Door Wall Boxes

### Two Door Wall Mount Boxes

#### How to order

1. Select wall box type
2. Select 6pak (with or without fibre) **not installed** in wall mount box (recommended for quicker availability) **OR** Select 6pak (with or without fibre) **installed** in wall mount box
3. Select 6pak adapter type (if factory installed, choose placement in the wall mount box)
4. Select splice tray with chip
5. Select number of cable clamps (0–9)
6. Select number of compression fittings (0–9)
7. Select number of bonding grounding kits (0–9)
8. Select number of strength member tie-off kits (each wall box accepts 2, maximum) (0–2)
9. Select locks

7106 • 6356\_a u • Fibre Connectivity Solutions

**Catalogue Number**  
**FL1-** 1 2 3A 3B 3C 3D 3E 4 - 5 6 7 8 9

#### Wall Box Type

G	2-door, 12-position termination/splice wall box
H	2-door, 24-position termination/splice wall box
J	2-door, 48-position termination/splice wall box

#### 6paks not Installed into Wall Box (with or without Fibre)

1	Adapters with pigtails (2.0mm x 3.0m)
2	Adapters only
H	Adapters with 12-fibre Maxi-Strip
N	None/NA

**OR**

#### 6paks Installed into Wall Box (with or without Fibre)<sup>1</sup>

3	Adapters with pigtails pre-installed into wall box (2.0mm x 3.0m)
J	Adapters with 12-fibre Maxi-Strip pre-installed into wall box
4	Adapters pre-installed into wall box

#### Multimode and Singlemode 6pak Adapter/Connector Type

0	Blank
N	None/NA

#### Singlemode

7	SC UPC
R	SC UPC, zirconia sleeve
D	SC duplex
2	FC UPC
L	FC UPC, zirconia sleeve
4	ST® UPC
P	ST® UPC, zirconia sleeve
X	LX.5®
8	LC

#### Multimode

9	SC
E	SC duplex
A	FC
5	ST®
Y	LX.5®
6	LC

#### Locks

N	None
A	(2) key A
B	(2) key B
C	(1) key A, (1) key B
D	(1) key A
E	(1) key B

#### Accessories

5	Cable clamp
6	Compression fittings
7	Bonding grounding kit
8	Strength member tie-off

Enter the desired quantity (0–9) above the corresponding accessory.

#### Splice Tray with Chip

1	Bare fusion
2	Heat shrink fusion
3	Mechanical (elastomeric)
4	Rotary
6	FibrLok®
7	Nortel QPAK
A	Crimp (sandwich)
N	None

**Number of splice trays received depends on amount of 6paks used:**  
 (1–2) 6paks = 1 splice tray  
 (4) 6paks = 2 splice trays  
 (6) 6paks = 3 splice trays  
 (8) 6paks = 4 splice trays

**Wall-Mount Bulkhead**  

3	3	3	3
E	D	C	A
3	3	3	3
E	D	C	B

Door Side

Viewed from Equipment Side

Mounting Wall Side

Wall Mount Boxes

<sup>1</sup> Use the guide above for placement of factory-installed 6paks. Place the desired connector or adapter type (from guide above) above the corresponding location designation of 3A, 3B, 3C, 3D or 3E. The diagram illustrates the location of each 6pak within the bulkhead.

# Wall Box Solutions

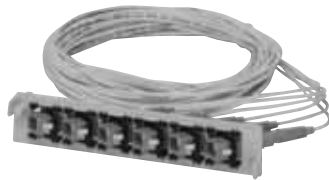
## FL1000 Two Door Wall Boxes

### 6pak Adapter Packs

To add capacity to an existing FL1000 panel, simply order the appropriate 6pak.



6pak without fibre



6pak with fibre

#### 6paks without fibre

Multimode (62.5/125)	Catalogue Number
SC	FL2-6PMMSC
Duplex SC	FL2-6PMMDSC
ST*	FL2-6PMMST
FC	FL2-6PMMFC
LX.5	FL2-6PMLX
LC	FL2-6PMMLC
<b>Singlemode</b>	
SC	FL2-6PSMSC
Duplex SC	FL2-6PSMDSC
ST*	FL2-6PSMST
FC	FL2-6PSMFC
SC (with zirconia sleeve)	FL2-6PSMSC-Z
Duplex SC (with zirconia sleeve)	FL2-6PSMDSC-Z
ST* (with zirconia sleeve)	FL2-6PSMST-Z
FC (with zirconia sleeve)	FL2-6PSMFC-Z
SC 8° APC	FL2-6PSMASC
FC 8° APC	FL2-6PSMAFC
E2000 8° APC	FL2-6PSMAE2
LX.5° 8° APC	FL2-6PSMALX
LC	FL2-6PSMLC

#### 6paks with fibre<sup>1</sup>

Multimode (62.5/125)	Catalogue Number
SC	FL1-6P9BC003
Duplex SC	FL1-6PDBC003
ST*	FL1-6P5BC003
FC	FL1-6PABC003
LX.5	FL1-6PYBC003
LC	FL1-6P6BC003
<b>Singlemode</b>	
SC	FL1-6P7SC003
Duplex SC	FL1-6PESC003
ST*	FL1-6P4SC003
FC	FL1-6P2SC003
SC (with zirconia sleeve)	FL1-6PCSC003
Duplex SC (with zirconia sleeve)	FL1-6PDCSC003
ST* (with zirconia sleeve)	FL1-6PPSC003
FC (with zirconia sleeve)	FL1-6PLSC003
SC 8° APC	FL1-6PJSC003
FC 8° APC	FL1-6PFSC003
E2000 8° APC	FL1-6PKSC003
LX.5° 8° APC	FL1-6PXBC003
LC	FL1-6P8SC003

<sup>1</sup>All pigtails are tight buffered fibre

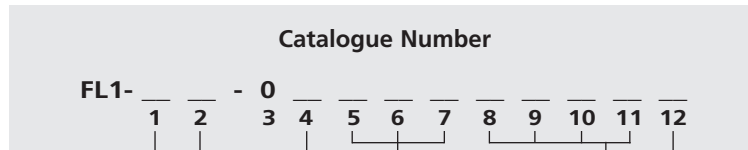
### Accessories

#### Ordering Information

Description	Catalogue Number
Compression fitting	FL1-ACC001
Radius limiters (set of 2 for use with rack mount panels)	FL1-ACC002
Strength member tie-off kit	FL1-ACC003
NEMA box access tool	ACE/AGX-KEY
Cable clamp	FL2-ACC007
Bonding grounding kit	FL2-ACC006
Lock and Key Type A	IPA-K1
Lock and Key Type B	IPA-K2
<b>Mini-splice trays (used only in 12-position, wall mount box)</b>	
Bare fusion	FL1-M-FT
Heat shrink fusion	FL1-M-HS
Rotary	FL1-M-RT
FibrLok®	FL1-M-3M
Nortel QPAK	FL1-M-NT
<b>Standard splice trays</b>	
Bare fusion	FST-FT
Heat shrink fusion	FST-HS
Mechanical (Elastomeric)	FST-MT
Rotary	FST-RT
FibrLok®	FST-3M
Nortel QPAK	FST-NT
Raychem universal chip	FST-RCM

# Wall Box Solutions

Termination/Splice FL1000 Wall Box with MTRJ Adapters



### Box Size

12	12-position (24 fibre connections)
24	24-position (48 fibre connections)
36	36-position (72 fibre connections)
48	48-position (96 fibre connections)
72	72-position (144 fibre connections)
96	96-position (192 fibre connections)

### Adapter Style

M	MTRJ (pass through adapters only)
S	MTRJ workstation jack (putty)
B	MTRJ secure keyed jack (blue)
G	MTRJ secure keyed jack (green)
H	MTRJ secure keyed jack (yellow)
W	MTRJ secure keyed jack (red)

### Dimensions

	HxWxD
12-position	394mm x 508mm x 104.14mm (15.5" x 20.0" x 4.1")
24-position	394mm x 508mm x 104.14mm (15.5" x 20.0" x 4.1")
36-position	584.2mm x 564mm x 140mm (23.0" x 22.2" x 5.5")
48-position	584.2mm x 564mm x 140mm (23.0" x 22.2" x 5.5")
72-position	584.2mm x 564mm x 178mm (23.0" x 22.2" x 7.0")
96-position	787.4mm x 564mm x 178mm (31.0" x 22.2" x 7.0")

### Fibre Connections<sup>1</sup>

012	12
024	24
036	36
048	48
072	72
096	96
144	144
192	192

### Type of Splice Tray

1	Bare fusion
2	Heat shrink
3	Mechanical
4	Rotary
6	Fibrlok®
7	Nortel QPAK
8	Raychem
A	Crimp (sandwich)
N	None <sup>2</sup>

### Locks

A	Two A keys
B	Two B keys
C	One A key, one B key
D	One A key
E	One B key
N	None

### Accessories<sup>3</sup>

8	Cable clamp
9	Compression fittings
10	Bonding/grounding
11	Strength member tie-off

<sup>1</sup> Each position = 2 fibre connections (e.g., 24-position panel fully loaded with MTRJ = 48 fibre connections).

<sup>2</sup> For interconnect only applications; right side of box can be used as slack storage.

<sup>3</sup> Select number of each as needed. Quantity 0-9.