

Fibre Solutions



Introduction.....	6.2
Cable.....	6.3
Outdoor	6.3
Indoor	6.5
Pre-terminated.....	6.6
Patch Panels	6.7
RMG Series Rack Mount Fibre Enclosures	6.7
RMG Plug-and-Play Cassettes	6.11
FPL	6.13
FL2000	6.15
LKH	6.20
Plastic.....	6.21
Plug-and-Play Cassettes.....	6.22
Sliding Fibre Patch Panel.....	6.23
Swing Out Fibre Patch Panel.....	6.23
Wall Mount Boxes	6.24
LKH Accessories	6.26
Connectors/Adaptors.....	6.28
Pigtails and Patch Cord Assemblies.....	6.30
Work Area Solutions.....	6.35
Distribution Solutions.....	6.37

Fibre Solutions

Introduction

In the backbone or to the desk, optical networks achieve peak performance with ADC KRONE's fibre connectors, patch cords, raceways, and panels featuring integrated cable management and bend radius protection.

Proper cable management practices make fibre networks less susceptible to accidental damage, quicker to install, less expensive to own and operate over the long haul and easier to expand as needs grow. To ensure optimal network performance, ADC KRONE's fibre solutions incorporate key cable management concepts:

- **Bend radius protection:** Micro or macro bends in fibre cable increase the risk of fibre breakage and added attenuation, which in turn affect the long-term reliability of the network and increase the cost of operations.
- **Adequate cable troughing with clear routing paths:** Cable troughing should keep fibre runs separate from heavier copper cables. Routing paths through the cable troughs should be clearly defined and easy to follow, making access to individual fibres easier, quicker and safer, reducing the time required for reconfiguration.
- **Easy accessibility to installed fibres:** Access to installed fibres should ensure that any fibre can be installed or removed without creating improper bends in adjacent fibres. Accessibility is most critical during network reconfiguration operations and directly impacts the cost of operations and reliability of the network.
- **Vertical cable protection:** Proper vertical cable management in panels or equipment bays provides adequate support, cable protection and a transition from the vertical run to the back of the equipment that does not damage the fibre.

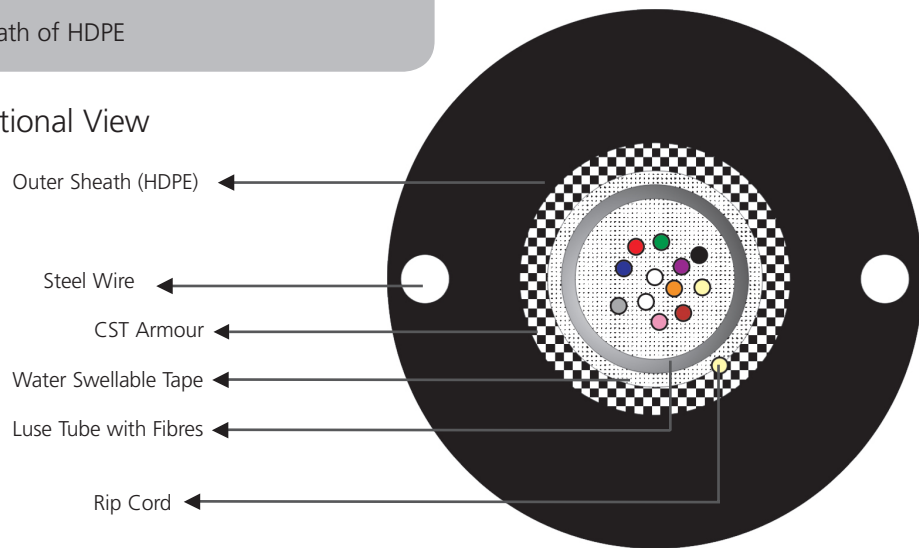


Outdoor Armoured Gel-Filled Loose Tube Cable

Features

- Suitable for Inter building backbone connectivity
- Suitable for duct or direct burial applications
- Colour coded fibres in Gel filled loose tubes
- Water blocking Tape
- Corrugated Steel Tape Armouring
- Rigid Steel strength members
- Outer sheath of HDPE

Cross Sectional View



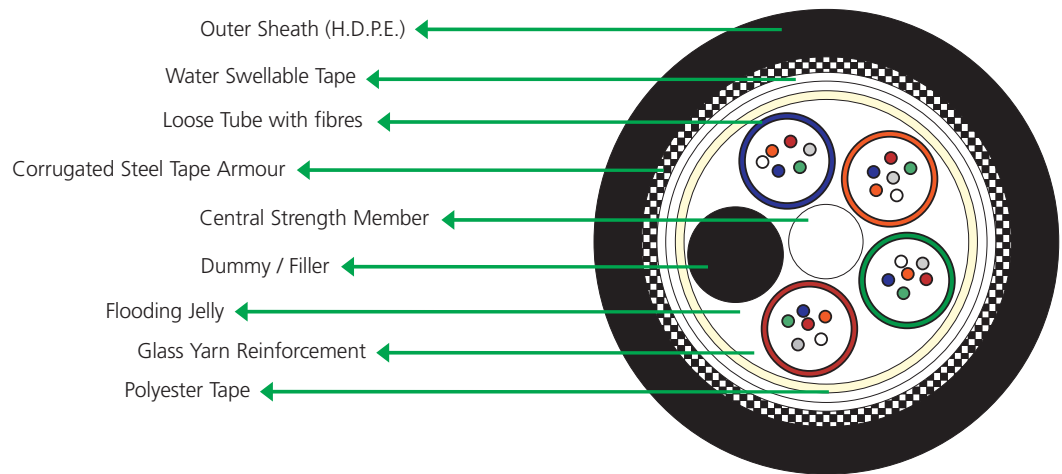
Ordering Information

Description	Product No.
Fibre Cable Outdoor Armoured 62.5/125 Multimode 6 Core Fibre Cable Outdoor Armoured 62.5/125 Multimode 12 Core Fibre Cable Outdoor Armoured 62.5/125 Multimode 24 Core	Q006LTSUAR062IN Q012LTSUAR062IN Q024LTSUAR062IN
Fibre Cable Outdoor Armoured 50/125 Multimode 6 Core Fibre Cable Outdoor Armoured 50/125 Multimode 12 Core Fibre Cable Outdoor Armoured 50/125 Multimode 24 Core	Q006LTSUAR050IN Q012LTSUAR050IN Q024LTSUAR050IN
Fibre Cable Outdoor Armoured OM3 Multimode 6 Core Fibre Cable Outdoor Armoured OM3 Multimode 12 Core Fibre Cable Outdoor Armoured OM3 Multimode 24 Core	Q006LTSUAR50UIN Q012LTSUAR50UIN Q024LTSUAR50UIN
Fibre Cable Outdoor Armoured 9/125 Singlemode 6 Core Fibre Cable Outdoor Armoured 9/125 Singlemode 12 Core Fibre Cable Outdoor Armoured 9/125 Singlemode 24 Core Fibre Cable Outdoor Armoured 9/125 Singlemode 6 Core LWP Fibre Cable Outdoor Armoured 9/125 Singlemode 12 Core LWP Fibre Cable Outdoor Armoured 9/125 Singlemode 24 Core LWP	Q006LTSUAR010IN Q012LTSUAR010IN Q024LTSUAR010IN Q006LTSUAR010INLWP Q012LTSUAR010INLWP Q024LTSUAR010INLWP

Features

- Suitable for Inter building backbone connectivity
- Suitable for duct or direct burial applications
- Colour coded fibres in loose tubes
- Water blocking Tape
- Corrugated Steel Tape Armouring
- Multi tube Design with Central Strength Member
- Outer sheath of HDPE

Cross Sectional View



Ordering Information

Description	Product No.
Fibre Cable Outdoor Multitube Armoured 62.5/125 Multimode 24 Core	Q024LTSDAR062IN
Fibre Cable Outdoor Multitube Armoured 50/125 Multimode 24 Core	Q024LTSDAR050IN
Fibre Cable Outdoor Multitube Armoured OM3 Multimode 24 Core	Q024LTSDAR50UIN
Fibre Cable Outdoor Multitube Armoured 9/125 Singlemode 24 Core	Q024LTSDAR010IN
Fibre Cable Outdoor Multitube Armoured 9/125 Singlemode 24 Core LWP	Q024LTSDAR010INLWP

Fibre Solutions

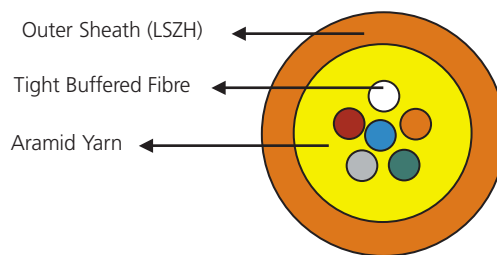
Cable

Indoor Tight Buffered Cable

Features

- Suitable for Intra building connectivity
- Suitable for fibre to desk applications
- 900µ tight buffered fibre
- Colour coded fibres with LSZH outer sheath
- Aramid Yarn for strength and flexibility
- Orange Colour outer sheath for MM and Yellow for SM

Cross Sectional View



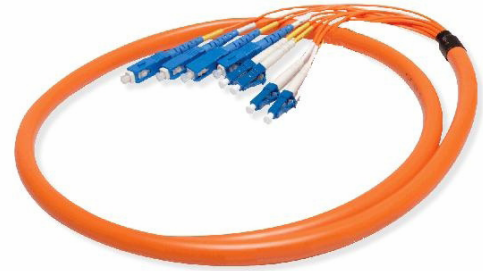
Ordering Information

Description	Product No.
Fibre Cable Indoor Tight Buffered 62.5/125 Multimode 6 Core LSZH	6006LZHIOC062IN
Fibre Cable Indoor Tight Buffered 62.5/125 Multimode 12 Core LSZH	6012LZHIOC062IN
Fibre Cable Indoor Tight Buffered 50/125 Multimode 6 Core LSZH	6006LZHIOC050IN
Fibre Cable Indoor Tight Buffered 50/125 Multimode 12 Core LSZH	6012LZHIOC050IN
Fibre Cable Indoor Tight Buffered OM3 Multimode 6 Core LSZH	6006LZHIOC050UIN
Fibre Cable Indoor Tight Buffered OM3 Multimode 12 Core LSZH	6012LZHIOC050UIN
Fibre Cable Indoor Tight Buffered 9/125 Singlemode 6 Core LSZH	6006LZHIOC010IN
Fibre Cable Indoor Tight Buffered 9/125 Singlemode 12 Core LSZH	6012LZHIOC010IN
Fibre Cable Indoor Tight Buffered 9/125 Singlemode 6 Core Low Water Peak LSZH	6006LZHIOC010INLWP
Fibre Cable Indoor Tight Buffered 9/125 Singlemode 12 Core Low Water Peak LSZH	6012LZHIOC010INLWP

Pre-terminated Fibre Cable Assemblies

Pre-terminated Fibre cable assemblies provide reduced installation time and lower link loss budgets. Connectors terminated in controlled environment ensure lowest insertion and reflection losses.

These are made to order and offer tight buffered cables in popular core sizes with combination LC & SC connector types in custom lengths. With connector grouping to suit internal patch panel configurations, they are supplied ready to install.



Pre-terminated Fibre Cable Assembly

Ordering Information

Description	Product No.	Quantity
Multi Fibre Fan Out Assembly SM SC-SC 6Core LSZH	6916 1 111-1YYYYXA	Available in length from 5 to 100m in multiples of 5m
Multi Fibre Fan Out Assembly MM 50/125 SC-SC 6Core LSZH	6916 2 111-1YYYYXA	Available in length from 5 to 100m in multiples of 5m
Multi Fibre Fan Out Assembly MM 62.5/125 SC-SC 6Core LSZH	6916 3 111-1YYYYXA	Available in length from 5 to 100m in multiples of 5m
Multi Fibre Fan Out Assembly MM OM3 SC-SC 6Core LSZH	6916 4 111-1YYYYXA	Available in length from 5 to 100m in multiples of 5m
Multi Fibre Fan Out Assembly SM SC-SC 12 Core LSZH	6916 1 111-1YYYYXB	Available in length from 5 to 100m in multiples of 5m
Multi Fibre Fan Out Assembly MM 50/125 SC-SC 12Core LSZH	6916 2 111-1YYYYXB	Available in length from 5 to 100m in multiples of 5m
Multi Fibre Fan Out Assembly MM 62.5/125 SC-SC 12Core LSZH	6916 3 111-1YYYYXB	Available in length from 5 to 100m in multiples of 5m
Multi Fibre Fan Out Assembly MM OM3 SC-SC 12Core LSZH	6916 4 111-1YYYYXB	Available in length from 5 to 100m in multiples of 5m
Multi Fibre Fan Out Assembly SM LC-LC 6 Core LSZH	6916 1 188-1YYYYXA	Available in length from 5 to 100m in multiples of 5m
Multi Fibre Fan Out Assembly MM 50/125 LC-LC 6Core LSZH	6916 2 188-1YYYYXA	Available in length from 5 to 100m in multiples of 5m
Multi Fibre Fan Out Assembly MM 62.5/125 LC-LC 6Core LSZH	6916 3 188-1YYYYXA	Available in length from 5 to 100m in multiples of 5m
Multi Fibre Fan Out Assembly MM OM3 SC-SC 6Core LSZH	6916 4 188-1YYYYXA	Available in length from 5 to 100m in multiples of 5m
Multi Fibre Fan Out Assembly SM LC-LC 12 Core LSZH	6916 1 188-1YYYYXB	Available in length from 5 to 100m in multiples of 5m
Multi Fibre Fan Out Assembly MM 50/125 LC-LC 12Core LSZH	6916 2 188-1YYYYXB	Available in length from 5 to 100m in multiples of 5m
Multi Fibre Fan Out Assembly MM 62.5/125 LC-LC 12Core LSZH	6916 3 188-1YYYYXB	Available in length from 5 to 100m in multiples of 5m
Multi Fibre Fan Out Assembly MM OM3 SC-SC 12Core LSZH	6916 4 188-1YYYYXB	Available in length from 5 to 100m in multiples of 5m

Note: YYY denotes length in metres

Fibre Solutions

Patch Panels

RMG Series Rack Mount Fibre Enclosures

ADC KRONE introduces the RMG Series rack mount fibre enclosures as an integral part of the TrueNet® product portfolio. ADC KRONE's RMG Series fibre enclosure provides rugged and durable protection for patching or splicing of fibre cables. Especially designed to be user friendly, the slide-out design and removable front and rear panels provide convenient access points.

ADC KRONE's RMG Series offers a cost effective and high-density rack mount fibre enclosure in one, two and four rack unit sizes. Its modular design and flexible configurations including terminating, splicing and MTP/ MPO solutions makes it very user friendly and easy to install.

The 1RU and 2RU units contain sliding and removable front and rear access panels, providing convenient access points. Designed for 19-inch rack or cabinet environment, optional brackets are available to accommodate 23-in rack or cabinet mounting.

The user friendly design utilises modular adaptor packs and offers higher density for space limited applications through its low profile design.

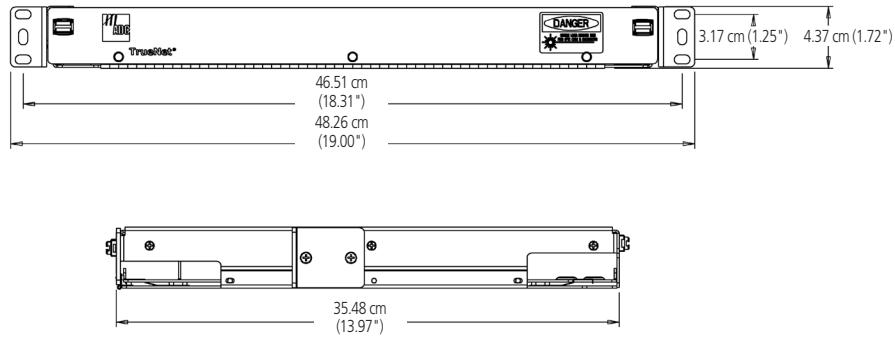
The side and rear cable entry points on rear of panel support a wide range of deployment applications.



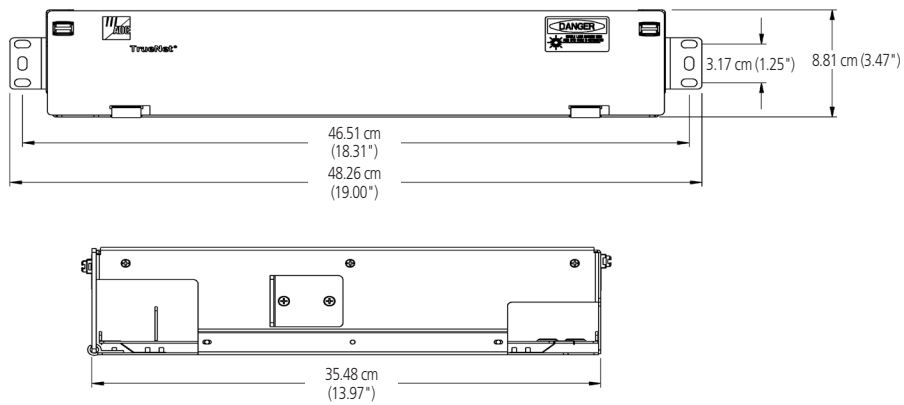
RMG Series Rack Mount Fibre Enclosures

RMG Series Rack Mount Fibre Enclosures

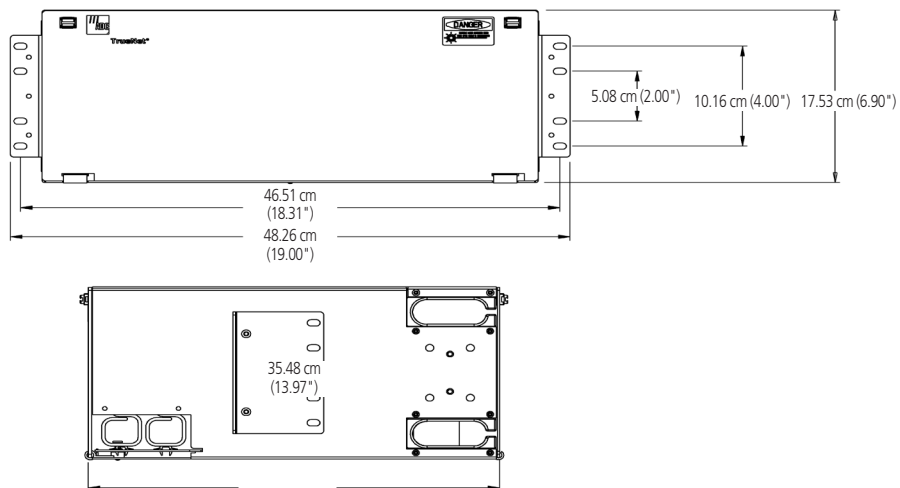
1RU Model



2RU Model



4RU Model



Fibre Solutions

Patch Panels

RMG Empty Panels

The RMG empty panel with blank panels includes 48.26 cm (19-inch) EIA mounting brackets and hardware, polycarbonate front door, cable ties, cable management rings and circuit identification cards. The RMG empty panel allows for the user to mix and match any combination of modular adaptor packs or simply utilise a “grow as you go” approach to their network.

These are easy and quick to configure, utilising the modular adaptor pack. These can be shipped with standard 48.26cm (19-inch) EIA rack or cabinet mounting hardware.

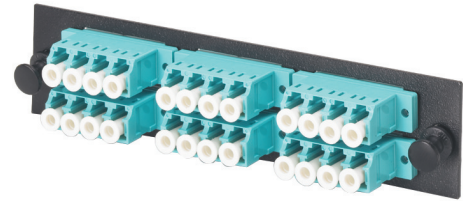
Ordering Information

Description	Panel Height	Product No.
Rack or Cabinet Mount Panel, black		
1RU empty panel; accommodates 3 modular adaptor packs; black	4.45 cm	RMG-1000-000B
2RU empty panel; accommodates 6 modular adaptor packs; black	8.89 cm	RMG-2000-000B
4RU empty panel; accommodates 12 adaptor packs; also includes cable management bracket and cable clamp; black	17.78 cm	RMG-4000-000B
Accessories		
Cable Clamp Kit (for 1RU and 2RU)		RMG-ACC001
Splice Tray, heat shrink fusion		FST-DV-HS

Refer to page 3.11 for standard modular adaptor plates and page 3.12 for MPO standard modular adaptor plates to suit these panels.

RMG Standard Adaptor Packs

The RMG Series offers a variety of standard modular adaptor packs to accommodate most applications.



RMG Standard Adaptor Packs

Ordering Information

Description	Product No.
Multimode adaptor only packs	
LC quad adaptors with phosphorus bronze sleeve, beige colour 6 adaptors or 24 fibre ports per adaptor pack	RMG-24ADPQ3
SC duplex adaptors with phosphorus bronze sleeve, beige colour 6 adaptors or 12 fibre ports per adaptor pack	RMG-12ADPC3
SC adaptors with phosphorus bronze sleeve, beige colour 6 adaptors or 6 fibre ports per adaptor pack	RMG-06ADPC1
LC adaptors with phosphorus bronze sleeve 6 adaptors or 12 fibre ports per adaptor pack	RMG-12ADPQ1
10 Gigabit multimode adaptor only packs	
LC quad adaptors with zirconia sleeve, aqua colour 6 adaptors or 24 fibre ports per adaptor pack	RMG-24ADPQ4
SC duplex adaptors with zirconia sleeve, aqua colour 6 adaptors or 12 fibre ports per adaptor pack	RMG-12ADPC4
SC adaptors with zirconia sleeve, aqua colour 6 adaptors or 6 fibre ports per adaptor pack	RMG-06ADPC2
Singlemode adaptor only packs	
LC quad adaptors, blue colour 6 adaptors or 24 fibre ports per adaptor pack	RMG-24ADPQ8
SC duplex adaptors, blue colour 6 adaptors or 12 fibre ports per adaptor pack	RMG-12ADPC6
SC adaptors 6 adaptors or 6 fibre ports per adaptor pack	RMG-06ADPC7

Fibre Solutions

Patch Panels

RMG Plug-and-Play Cassettes

ADC KRONE's RMG series fibre enclosure provides rugged and durable protection for patching or splicing of fibre cables. Especially designed to be user-friendly, the slide-out design and removable front and rear panels provide convenient access points.

The RMGs modular MPO cassettes can be used in any of the RMG series fibre enclosures in LC and SC connector styles in OM3 and OS1 singlemode glass types. Designed for easy installation and allowing rapid deployment with less labour.

Completely interchangeable between RMG panel products. Can be ordered with all standard types duplex and quad multimode and singlemode adapters. Modular design reduces installation costs.



RMG Plug-and-Play Cassettes

Ordering Information

Description	Product No.
Plug-and-Play Cassettes	
50/125µm Multimode Laser OM3 Cassettes	
12 fibre cassettes; 6 SC Duplex (aqua) Multimode Adaptors, 1 MPO Adaptor	RMG-12MPODC4
12 fibre cassettes; 3 Quad LC (aqua) Multimode Adaptors, 1 MPO Adaptor	RMG-12MPODQ4
24 fibre cassettes; 6 Quad LC (aqua) Multimode Adaptors, 2 MPO Adaptor	RMG-24MPODQ4
Singlemode OS1 Cassettes	
12 fibre cassettes; 6 SC Duplex (blue) Multimode Adaptors, 1 MPO Adaptor	RMG-12MPOSC5
12 fibre cassettes; 3 Quad LC (blue) Multimode Adaptors, 1 MPO Adaptor	RMG-12MPOSQ5
24 fibre cassettes; 6 Quad LC (blue) Multimode Adaptors, 2 MPO Adaptor	RMG-24MPOSQ5
Preterm RMG MPO – MPO Cable Assemblies	
Preterm OM3 Aqua Cable MPO-MPO 12 core, 5m	PTF1202PP3005AQ
Preterm OM3 Aqua Cable MPO-MPO 12 core, 10m	PTF1202PP3010AQ
Preterm OM3 Aqua Cable MPO-MPO 12 core, 15m	PTF1202PP3015AQ
Preterm OM3 Aqua Cable MPO-MPO 12 core, 20m	PTF1202PP3020AQ
Preterm OM3 Aqua Cable MPO-MPO 12 core, 25m	PTF1202PP3025AQ
Preterm OM3 Aqua Cable MPO-MPO 12 core, 30m	PTF1202PP3030AQ

RMG Maximum Capacity by Adaptor Style and Chassis Height

Termination Only Application

Chassis Height (in Rack Units)/ Application	Maximum Number of Fibre Terminations in Chassis	Maximum Number of Adaptor Packs per Chassis	Number of Fibre Terminations per Adaptor Pack	Adaptor Style
1	18	3	6	Simplex SC
1	36	3	12	Duplex SC, standard LC
1	72	3	24	Quad LC
2	36	6	6	Simplex SC
2	72	6	12	Duplex SC, standard LC
2	144	6	24	Quad LC
4	72	12	6	Simplex SC
4	144	12	12	Duplex SC, standard LC
4	288	12	24	Quad LC

Termination/Splice Application

Chassis Height (in Rack Units)/ Application	Maximum Number of Fibre Terminations in Chassis	Maximum Number of Adaptor Packs per Chassis	Number of Fibre Terminations per Adaptor Pack	Adaptor Style
1	18	3	6	Simplex SC
1	36	3	12	Duplex SC, standard LC
1	48	3	24	Quad LC
2	36	6	6	Simplex SC
2	72	6	12	Duplex SC, standard LC
2	72	6	24	Quad LC
4	72	12	6	Simplex SC
4	144	12	12	Duplex SC, standard LC
4	144	12	24	Quad LC

Fibre Solutions

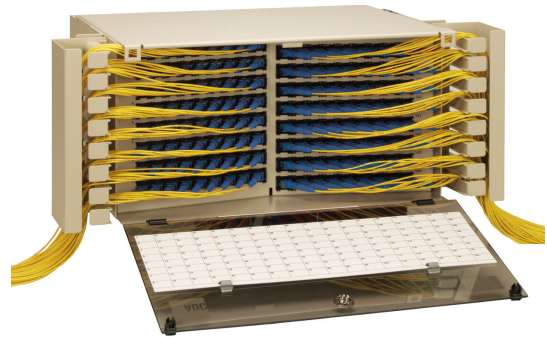
Patch Panels

FPL Series

FPL panels combine the unique features of vertical cable guides and angled left/right adaptors, offering diverse cable routing options and a complete cable management solution. The rear access splicing provides a high density termination/splice solution, maximising rack space. The 144-position high density termination/splice panel maintains all existing FPL panel capabilities in the space of just 5 rack units.

Panels are equipped with adjustable mounting brackets to provide either 19" or 23" rack or cabinet mounting (EIA or WECCO) as well as 4" or 5" recess mounting.

ADC KRONE's patented removable angled retainers allow easy access for single fibre maintenance. Vertical cable guides on either side of the panel provide bend radius protection and management of fibres exiting the panel. Using LC small form factor connectors will double the capacity for each panel (up to 144 for splicing applications).

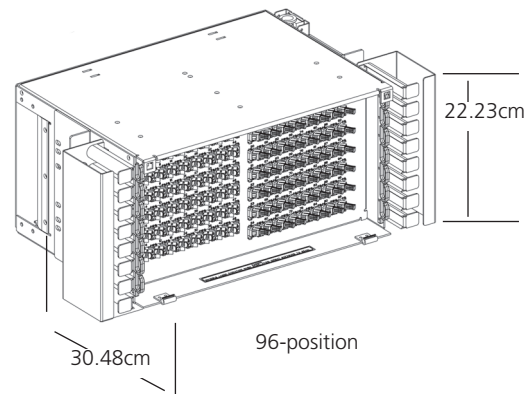
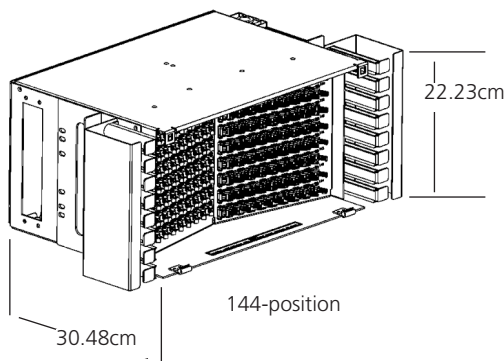
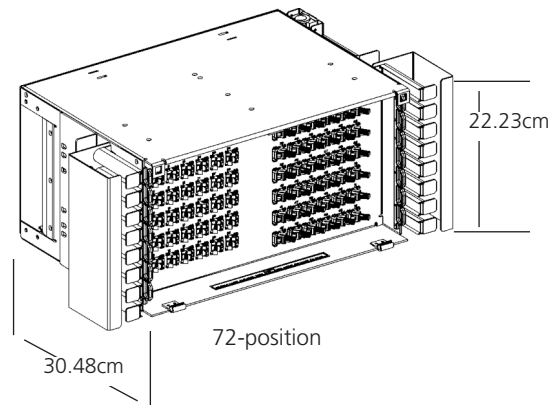


FPL Series

FPL Termination or Termination Splice

The FPL termination panels are available in 72, 96 and 144 termination densities. The panel is ordered with adaptors only for termination only applications, for combination termination/splice applications order required splice cassettes listed below. The rear panel offers pigtail storage and has a removable front polycarbonate door, with an optional lock for both front and rear doors (available separately).

Designation labels are included with each panel. Mounting brackets are included with the panel, which can flip to accommodate 19" or 23" mounting and 4" or 5" recess. Each panel includes 2 cable clamps.



Ordering Information

Description	Colour	Panel Height	Product No.
Termination Only Panels			
FPL 24-port M/M LC Termination/Adaptor only Panel	Putty	1RU	FPL-12RA06-2400
FPL 72-port M/M SC Termination/Adaptor only Panel	Putty	5RU	FPL-72RA09-7200
FPL 96-port M/M SC Termination/Adaptor only Panel	Putty	5RU	FPL-96RA09-9600
FPL 96-port M/M LC Termination/Adaptor only Panel	Putty	5RU	FPL-48RA06-9600
FPL 144-port M/M SC Termination/Adaptor only Panel	Putty	5RU	FPL-144RA09-144N0
FPL 144-port M/M LC Termination/Adaptor only Panel	Putty	5RU	FPL-72RA06-14400
FPL 288-port M/M LC Termination/Adaptor only Panel	Putty	5RU	FPL-144RA06-28800
FPL 48-port M/M LC Termination/Adaptor only Panel	Black	1RU	FPL-1DRA06-480B
FPL 72-port M/M SC Termination/Adaptor only Panel	Black	5RU	FPL-72RA09-720B
FPL 96-port M/M LC Termination/Adaptor only Panel	Black	5RU	FPL-48RA06-960B
FPL 144-port M/M SC Termination/Adaptor only Panel	Black	5RU	FPL-144RA09-144NB
FPL 144-port M/M LC Termination/Adaptor only Panel	Black	5RU	FPL-72RA06-1440B
FPL 288-port M/M LC Termination/Adaptor only Panel	Black	5RU	FPL-144RA06-2880B
FPL Series Accessories for term/splice applications			
12 SPLICE Dual Heat shrink fusion splice tray			FST-HS
24 SPLICE Dual Heat shrink fusion splice tray			FST-D-HS
5-20mm Cable Clamp Kit			FL2-ACC007

*Note: maximum splice capability of FPL panel is 144 using 6 x FST-D-HS

Fibre Solutions

Patch Panels

FL2000

The economical and flexible FL2000 series of fibre optic products is ideal for small fibre counts and can be used in moderate fibre count applications as well by combining various panels.



FL2000 Rack Mount Chassis (door open)



FL2000 Rack Mount Chassis

The FL2000 series is a complete line of modular panels developed for cabinet, rack and wall mounting. They are fully adaptable for small or large main distribution frame (MDF) or intermediate distribution frame applications.

The modular design offers maximum flexibility to satisfy both current needs and future growth requirements. A full line of options and accessories ensures compatibility with existing optical equipment.

Designed for the 19" rack or cabinet environment, optional brackets are available to accommodate 23" rack or cabinet mounting. They provide termination, splicing and storage capabilities for in-building cables, outside plant cables and fibre optic terminal (FOT) equipment patch cords.

FL2000 systems accommodate the modular FL2000 6-pak plug-ins. 6-paks are available in all connector styles and can be ordered as needed. ADC KRONE's patented removable angled retainers allow easy access for single fibre maintenance. The panels feature superior vertical cable protection and management.

Rack mount panels are hinged on one side, allowing full access to the rear of the front plate and the interior of the panel. Rack mount panels are equipped with mounting brackets to provide 12.7cm recess mounting, mounting brackets are available for virtually any mounting application. The rack mount panels can be wall mounted.

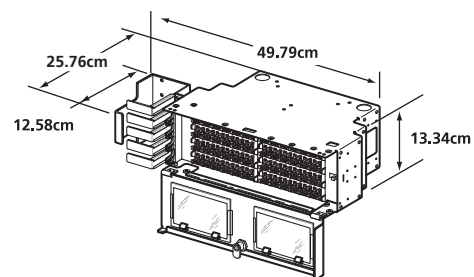
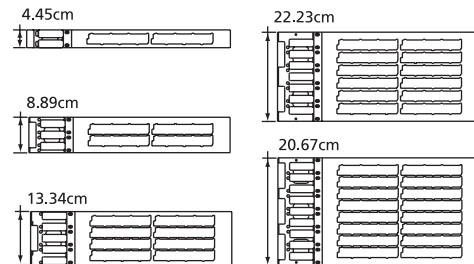
The new FL2000 splice wheel allows easy roll-up of pigtail and buffer tube lengths and superior bend radius protection. The FL2000 splice deck is available to complete existing installations.

FL2000 System Termination Only Empty Panels

These can be mounted on a 19" rack or cabinets, with a standard 12.7cm recess. There are alternative mounting kits, including a wall mounting option. They are hinged on the left side, allowing full access to the rear of the front plate and interior of the panel.

The panels are constructed of high strength aluminium and equipped with removable metal doors with Plexiglas windows.

Designation labels are included with each panel. FL2000 6-pak adaptor plug-ins can be ordered separately. There is a complete line of accessories including locks for security.

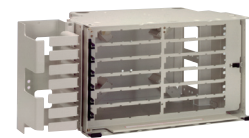


Ordering Information

Description	Panel Height	Product No.
Rack or Cabinet Mount Panel, black <i>Includes vertical cable management trough</i> 24 fibre capacity 48 fibre capacity 72 fibre capacity 96 fibre capacity	8.89cm (2RU) 13.34cm (3RU) 22.23cm (5RU) 26.67cm (6RU)	FL2-24RPNL-B FL2-48RPNL-B FL2-72RPNL-B FL2-96RPNL-B
Accessories		
Flush Mount Kits Allow 1, 3, 4, 5 and 6RU recess mounting Kit includes: new vertical cable guide and mounting flanges	8.89cm (2RU) 13.34cm (3RU) 17.78cm (4RU) 22.23cm (5RU) 26.67cm (6RU)	FL2-FLMT0350-B FL2-FLMT0525-B FL2-FLMT0700-B FL2-FLMT0875-B FL2-FLMT1050-B
Cable Clamp Kit <i>One per cable recommended</i> Outer diameter 0.51cm to 2cm Outer diameter 1.8cm to 2.5cm Cable clamp kit for 12 fibre capacity panel only		FL2-ACC007 FL2-ACC021 FL2-ACC033
Bonding/Grounding Kit		FL2-ACC006



24 Fibre Capacity



72 Fibre Capacity



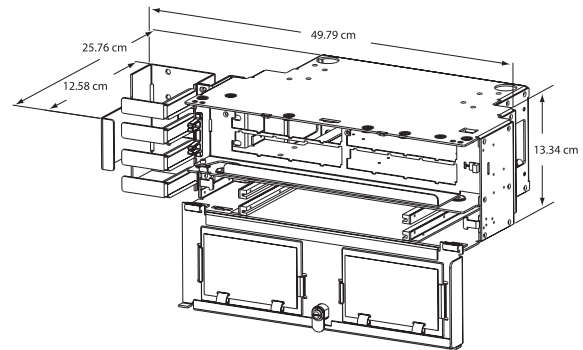
96 Fibre Capacity

FL2000 Termination/Splice Empty Panels

These can be mounted on a 19" rack or cabinets, with a standard 12.7cm recess. There are alternative mounting kits, including a wall mounting option. They are hinged on the left front side for complete access to the interior of the termination section.

These can be quickly and easily configured, utilising the 6-pak assemblies (ordered separately).

There is a complete line of accessories available including locks for security.



Termination/splice panel

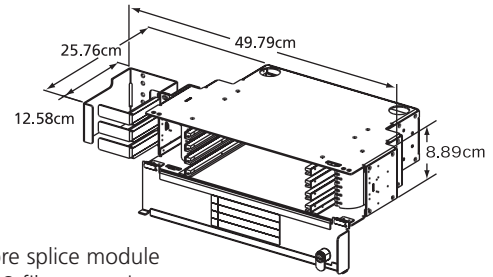
Ordering Information

Description	Panel Height	Product No.
Termination/Splice Panel, black 12-position 24-position 48-position 72-position 96-position	8.89cm (2RU) 13.34cm (3RU) 22.23cm (5RU) 35.56cm (8RU) 44.45cm (10RU)	FL2-12TS350-B FL2-24TS525-B FL2-48TS875-B FL2-72TS140-B FL2-96TS175-B
Splice Wheel with Splice Chip 12-position heat shrink fusion 24-position heat shrink fusion		FST-DRS12-HS FST-DRS24-NT
Splice Deck with Splice Chip 12-position heat shrink fusion 24-position heat shrink fusion		FL2-RSPLCE-HS-B FL2-RSPLCE-NT-B
Accessories		
Flush Mount Kits Allows 1, 2, 3, 5, 8 and 10RU recess mounting Kit includes: new vertical cable guide and mounting flanges	8.89cm (2RU) 13.34cm (3RU) 22.23cm (5RU) 35.56cm (8RU) 44.45cm (10RU)	FL2-FLMT0350-B FL2-FLMT0525-B FL2-FLMT0875-B FL2-FLMT1400-B FL2-FLMT1750-B
Cable Clamp Kit (Kit of 1) Outer diameter 0.51cm to 2cm Outer diameter 1.8cm to 2.5cm For mounting kits and additional accessories.		FL2-ACC007 FL2-ACC021

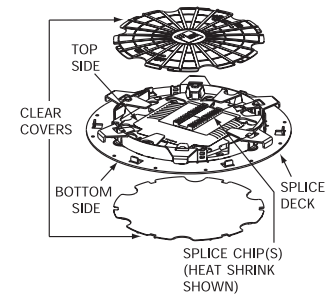
FL2000 Splice Only Empty Panels

These panels offer a combination of splicing protection and associated fibre/pigtail storage. The splice panel can be mounted in conjunction with any FL2000 termination panel or as a stand-alone splice panel.

They occupy the same footprint and offer the same mounting options as FL2000 termination panels and accept the ADC KRONE splice wheel for efficient management of fibre cable and splice protection.



Fibre splice module
(48 fibre capacity
module shown)



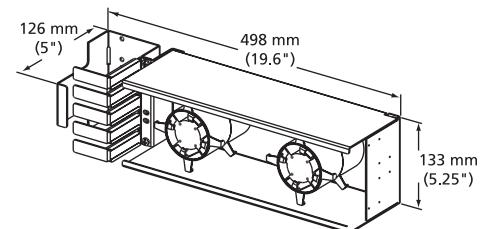
Splice wheel with
splice chip (black)

Ordering Information

Description	Panel Height	Product No.
Splice Wheel with Splice Chip 12-position heat shrink fusion 24-position heat shrink fusion		FST-DRS12-HS FST-DRS24-NT
Splice Panel for Splice Deck for existing installations, black (Also accepts splice wheel) 48 fibre capacity 96 fibre capacity 144 fibre capacity	8.89cm (2RU) 17.78cm (4RU) 22.23cm (5RU)	FL2-48SPNL-B FL2-96SPNL-B FL2-144SPNL-B
Cable Clamp Kit (kit of 1) Outer diameter 0.51cm to 2cm Outer diameter 1.8cm to 2.5cm		FL2-ACC007 FL2-ACC021

Horizontal Interbay Management Panel

These mount horizontally in a bay to manage jumper storage and may be modified for flush or wall mount applications.



Horizontal Interbay Management Panel

Ordering Information

Description	Product No.
Horizontal Interbay Management Panel	FL2-HZSTORE-B

Fibre Solutions

Patch Panels

FL2000 6-pak Connector Plug-Ins

These are completely interchangeable between FL2000 panel and wall box products. They can be ordered with all standard types of simplex and duplex single and multimode adaptors and connectors.

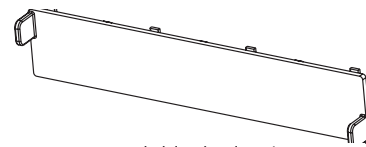
Featuring ADC KRONE's patented removable angled retainers, they provide superior fibre management. No tools are required to install into FL2000 boxes or panels. These are supplied with adaptors only.



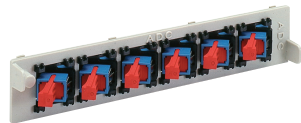
6-pak Plug-in (shown with singlemode duplex adaptors)



6-pak Plug-in (shown with multimode duplex adaptors)



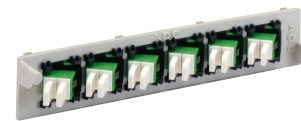
6-pak blank plug-in



6-pak plug-in (shown with singlemode simplex adaptors)



6-pak plug-in (shown with multimode simplex adaptors)



6-pak plug-in (shown with singlemode LC adaptors)



6-pak plug-in (shown with multimode LC adaptors)

Ordering Information

Description	Product No.
Multimode	
SC (simplex)	FL2-6PMMSC
SC (duplex)	FL2-6PMMDSC
LC (duplex)	FL2-6PMMLC
Singlemode	
SC (duplex)	FL2-6PSMDSC-Z
SC, (simplex)	FL2-6PSMSC-Z
LC (duplex)	FL2-6PSMLC
6-pak Blank Plug-in	FL2-6PBLNK

Fibre Solutions

Patch Panels

LKH Series Hinged Patch Panels

These patch panels are rack mountable. Available in 1RU, 2RU and 3RU configurations providing medium density of up to 72-port with SC/ST connectors or 144-port with LC connectors. These panels are supplied empty, adaptor plates and splice cassettes are ordered separately, refer to page 3.25 and 3.26 for adaptor plate and splice cassette options.

The hinged tray allows easy access for both installation and rework. Easily configured for right or left hand opening, they come complete with a patch cord guide.

Designed for rear or side cable entry featuring strain relief and cable tie points, they have a removable lid.



24/48-port Hinged Patch Panel

Ordering Information

Description	Quantity	Colour	Panel Height	Product No.
12/24-port Hinged Patch Panel (empty)	Box of 1	Charcoal	1RU	6877 1 002-02
24/48-port Hinged Patch Panel (empty)	Box of 1	Charcoal	2RU	6877 1 002-00
36/72-port Hinged Patch Panel (empty)	Box of 1	Charcoal	3RU	6877 1 002-01

LKH Series Sliding and Fixed Patch Panels

ADC KRONE Sliding and Fixed Fibre Patch Panels are ideally suited to low to medium density campus and backbone applications, these panels are 19" rack mountable and can be equipped for either 12-port or 24-port in one rack unit depending on the type of adaptor plates used. These panels are supplied empty, adaptor plates and splice cassettes are ordered separately, refer to page 3.25 and 3.26 for adaptor plate and splice cassette options.



Sliding Patch Panel

Ordering Information

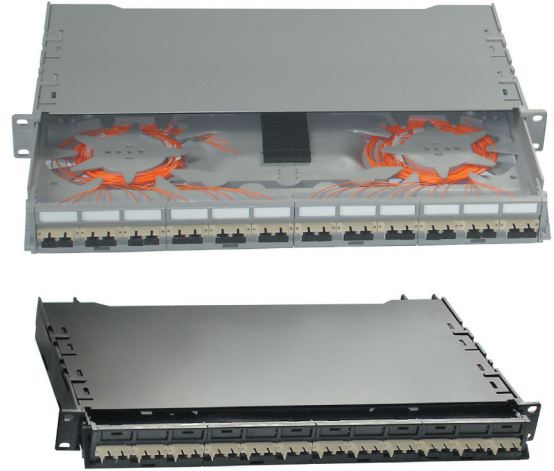
Description	Quantity	Colour	Panel Height	Product No.
Sliding Patch Panel (empty)	Box of 1	Charcoal	1RU	6877 1 001-00
Fixed Patch Panel (empty)	Box of 1	Charcoal	1RU	6877 1 003-00

Fibre Optic 1RU Plastic Fibre Patch Panel

The TrueNet® Fibre Optic 1RU Patch Panel from ADC KRONE is an integral part of the TrueNet system, providing a versatile and integrated approach to the management of optical patching. Constructed from a PC-ABS compound, the panel is both lightweight and robust enough to be used as a substitute for metal solutions.

Available with multiple adaptor types for interfacing between old and new infrastructure builds including SC, ST and LC. Supports upto 24 core in SC and 48 core in LC

The 1RU sliding panels offers ease of access and standard deployment into 19" racks. The PC-ABS construction means that the tray is both lightweight whilst maintaining mechanical strength. The internal cable management protects splices and pigtails from lateral damage whilst maintaining the bend radii for optimal data packet throughput.



Fibre Optic 1RU Plastic Fibre Patch Panel

Ordering Information

Description	Quantity	Product No.
19"FO PPP housing without front modules	Box of 1	7033 1 090-00
PPP front module for 6 X MT RJ throuh adaptors	Box of 1	7033 1 091-00
PPP front module for 6 X SC, E2000 or Duplex LC through adaptors	Box of 1	7033 1 092-00
PPP front module for 3 X Duplex SC through adaptors	Box of 1	7033 1 093-00
PPP front module for 6 X ST through adaptors	Box of 1	7033 1 094-00
Splice holder for PPP for 4 splice protectors	Box of 1	7033 2 018-00

Fibre Patch Panel - Wall Mount

The Truenet Wall Mount Fibre Patch panel application include Fibre campus links, Fibre backbone links, Telecoms, CATV ,etc. It can be used for 12 Port or 24 Port and is available in Duplex SC and ST versions. The adaptor panel is integrated in the patch panel with dummy plugs

The Hinged door provides easy front access. The Product is available in Aluminum with an Off-White powder coating.



Fibre Patch Panel - Wall Mount

Ordering Information

Description	Quantity	Product No.
Wall Mount 12 Port ST type	Box of 1	6643 3 120-10
Wall Mount 24 Port SC type	Box of 1	6643 3 240-10

Fibre Solutions

Patch Panels

TFP Series Plug-and-Play Cassettes

ADC KRONE's TrueNet® Fibre Panels (TFP) combine the unique features of vertical cable guides and our patented angle-left/angle right adapters, which offers bend radius protection, intuitive routing and easy connector access. Designed for rack or cabinet mounting in the horizontal or equipment distribution area, the TFP's modularity, functionality and density make them ideal for mounting in close proximity to servers, switches, routers and SANs. The TFP's functionality can be extended with its plug-and-play angled cassettes, which add up to 24-fibre terminations each for jumper management in SANs-rich environments. These cassettes snap into place effortlessly; and even come from the factory pre-labeled with simple installation instructions.



TrueNet® Fibre Panels



Plug-and-Play Cassettes



MPO Trunk Assembly

Ordering Information

Description	Product No.
Termination only rack or cabinet mount panel, black	
1 RU empty panel, black; accommodates 2 modular adapter packs; T-handle latch close	TFP-1TT00-000B
2 RU empty panel, black; accommodates 4 modular adapter packs; T-handle latch close	TFP-2TT00-000B
5 RU empty panel, black; accommodates 12 modular adapter packs; T-handle latch close	TFP-5TT00-000B
Plug-and-Play Cassette Pairs	
12- fibre cassettes; 6 LC (aqua) multimode adaptors; 50/125 fibre laser optimized to 300 meters	
Angle LEFT cassette	TFP-12MPLDQ2
Angle RIGHT cassette	TFP-12MPRDQ2
24- fibre cassettes; 12 LC (aqua) multimode adaptors; 50/125 fibre laser optimized to 300 meters	
Angle LEFT cassette	TFP-24MPLDQ2
Angle RIGHT cassette	TFP-24MPRDQ2
12- fibre cassettes; 6 LC singlemode adaptors; singlemode fibre	
Angle LEFT cassette	TFP-12MPLSQ5
Angle RIGHT cassette	TFP-12MPRSQ5
24-fibre cassettes; 12 LC singlemode adaptors; singlemode fibre	
Angle LEFT cassette	TFP-24MPLSQ5
Angle RIGHT cassette	TFP-24MPRSQ5
MPO trunk cables	
MPO-MPO trunk, 12 fiber microcable, 50/125 multimode laser optimized to 300 meters, plenum jacket with pulling eye sock	MRM-AF/AFEGXXXF
MPO-MPO trunk, 12 fiber microcable, singlemode reduced water peak fiber, plenum jacket with pulling eye sock	MRS-AF/AFEAXXXF

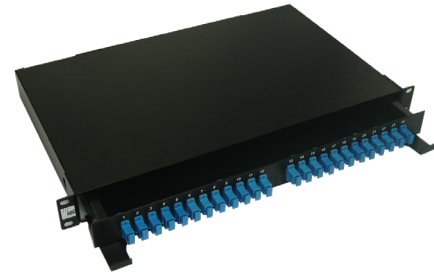
Note: 1XXX = length in feet (standard lengths) 100 = 100 ft, 125 = 125 ft, 150 = 150 ft.

Fibre Solutions

Patch Panels

Sliding Fibre Patch Panel

The metallic patch panel is an extremely easy to use solution. These panels are 1U 19" rack mountable and can be equipped for either 12-port or 24-port in one rack unit depending on the type of adaptor plates used. They can be ordered with splice trays for use with pigtailed. Also usable with the Multi Fibre Assemblies or TFP MPO style cassettes. The front drops down and can be locked from the front. The base tray can be pulled out to give you easy access to your backbone fibre terminations.



Sliding Fibre Patch Panel

Ordering Information

Description	Quantity	Colour	Product No.
19" Rackmount Fibre panel 1U	Box of 1	Charcoal	6910 2 152-02
12 Port SC adapter plate.	Box of 1	Charcoal	6910 2 152-03

Swing Out Fibre Patch Panel

This is a high density 19" solution designed for upto 48 fibre termination . It is equipped with a swing out door option. The front panel swings out to give access to the back of the adapters. There is provision to accommodate splice trays comfortably. The 2U design is extremely easy to use and comes with additional safety features to adequately protect your fibre suitable for High Density Datacentre applications



Swing Out Fibre Patch Panel

Ordering Information

Description	Quantity	Colour	Product No.
FPS-02 Rackmount Fibre panel 2U 48 port (Inbuilt 48 port SC adapter plate and splice holders)	Box of 1	Charcoal	6910 2 152-05

Note: Adapters to be ordered separately

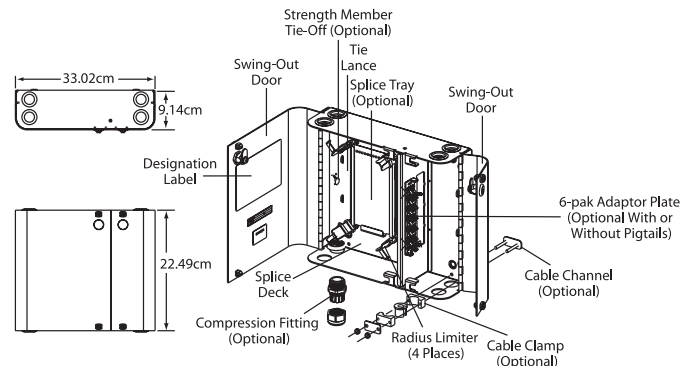
FL1000 Two-Door Wall Mount Boxes

The FL1000 two-door, wall mount boxes feature a unique design and many integrated features such as:

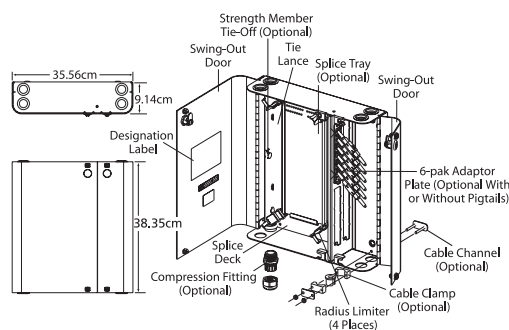
- Multiple, configurable locking options that allow users and service providers separate access for security.
- Acceptance of strength member tie-off hardware.
- Acceptance of cable clamps at each corner.

Grounding screws, mounting screws and dust caps are included with each panel. More accessories are available.

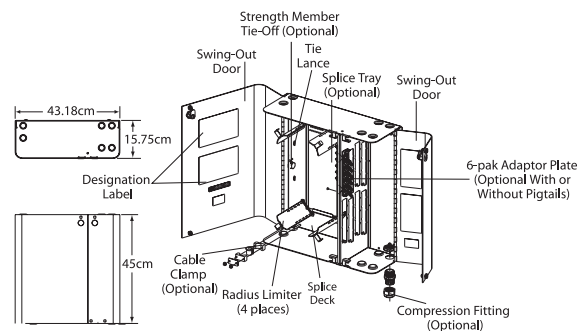
12-position Termination/Splice Wall Box



24-position Termination/Splice Wall Box



48-position Termination/Splice Wall Box



Ordering Information

Description	Quantity	Colour	Product No.
Termination/Splice Wall Boxes			
12-position, empty	Box of 1	Putty	FL1-G
24-position, empty	Box of 1	Putty	FL1-H
48-position, empty	Box of 1	Putty	FL1-J

Note: Order 6-packs and accessories separately.

Fibre Solutions

Wall Mount Boxes

FL1000 6-pak Adaptor Packs

Flexibility for future growth: To add capacity to an existing FL1000 panel, simply order the appropriate 6-pak.

6-paks with Adaptors

Multimode (62.5/125)	Product No.
SC	FL2-6PMMSC
Duplex SC	FL2-6PMMDSC
LC	FL2-6PMMLC
Singlemode	
SC	FL2-6PSMSC-Z
Duplex SC	FL2-6PSMDSC-Z
SC angled 8°	FL2-6PSMASC
LC	FL2-6PSMLC



6-pak without fibre

Accessories

Ordering Information

Accessories	Product No.
Compression fitting	FL1-ACC001
Radius limiters (set of 2 for use with rack mount panels)	FL1-ACC002
Strength member tie-off kit	FL1-ACC003
Cable clamp	FL2-ACC007
Bonding grounding kit	FL2-ACC006
Lock and Key Type A	IPA-K1
Lock and Key Type B	IPA-K2
Standard splice trays	
12-position Heat shrink fusion	FST-HS
24-position Nortel	FST-NT

LKH Series Highlight 12/24-port Wall Box

For wall surface mount applications. It can be equipped for either 12-port or 24-port depending on the type of adaptor plates used. Has a lockable demarcation point to stop access to internal fibres. Wall boxes are supplied empty, adaptor plates and splice cassettes are ordered separately, refer to page 3.25 and 3.26 for adaptor plate and splice cassette options.



Wall Box

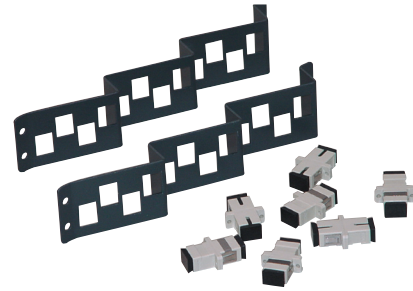
Ordering Information

Description	Quantity	Colour	Product No.
Wall Box	Box of 1	Charcoal	6877 1 005-00

* Order adaptor plates and accessories separately

Adaptor Plate Kits

LKH Series Adaptor Plates suit hinged, sliding, fixed patch panels and wall mount boxes.



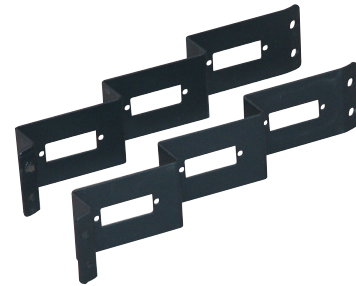
Adaptor Plates Kit

Ordering Information

Description	Quantity	Colour	Product No.
12-port Adaptor Plate Kit with SC SPX M/M adaptors	Box of 2	Charcoal	6877 2 010-00
12-port Adaptor Plate Kit with ST SPX M/M adaptors	Box of 2	Charcoal	6877 2 010-01
12-port Adaptor Plate Kit with SC DPX M/M adaptors	Box of 2	Charcoal	6877 2 010-02
24-port Adaptor Plate Kit with SC SPX M/M adaptors	Box of 2	Charcoal	6877 2 010-03
24-port Adaptor Plate Kit with ST SPX M/M adaptors	Box of 2	Charcoal	6877 2 010-04
24-port Adaptor Plate Kit with SC DPX M/M adaptors	Box of 2	Charcoal	6877 2 010-05
24-port Adaptor Plate Kit with LC DPX M/M adaptors	Box of 2	Charcoal	6877 2 011-12
48-port Adaptor Plate Kit with LC DPX M/M adaptors	Box of 2	Charcoal	6877 2 011-13

Adaptor Plates

LKH Series Adaptor Plates suit hinged, sliding, fixed patch panels and wall mount boxes.



Adaptor Plates

Ordering Information

Description	Quantity	Colour	Product No.
12-port SC/LC Simplex Adaptor Plates	Box of 2	Charcoal	6877 2 011-00
12-port ST Simplex Adaptor Plates	Box of 2	Charcoal	6877 2 011-01
12-port SC Duplex Adaptor Plates	Box of 2	Charcoal	6877 2 011-02
24-port SC/LC Simplex Adaptor Plates	Box of 2	Charcoal	6877 2 011-03
24-port ST Simplex Adaptor Plates	Box of 2	Charcoal	6877 2 011-04
24-port SC Duplex Adaptor Plates	Box of 2	Charcoal	6877 2 011-05
12-Port RJ45 HKI Adaptor Plates	Box of 2	Charcoal	6877 2 011-10
Blank Adaptor Plates	Box of 2	Charcoal	6877 2 011-11

Fibre Solutions

LKH Accessories

LKH Fibre Splice Tray Kit

Suitable for use in Hinged, Sliding and Fixed Patch Panels. Holds up to 12 fusion splices.



Fusion Splice Protectors



Splice Tray Kit

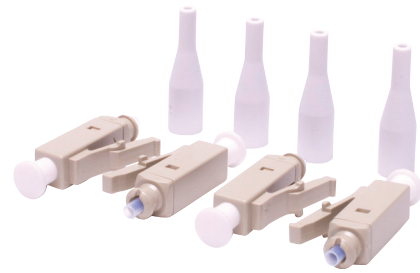
Ordering Information

Description	Quantity	Colour	Product No.
Splice Tray Kit	Bag of 1	White	6877 2 108-00
Fusion Splice Protectors	Bag of 25		6877 2 109-00

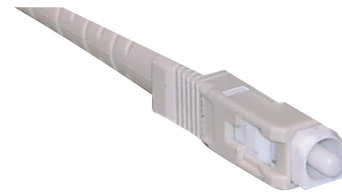
Epoxy/Polish Connectors

Epoxy field polish connectors are ideal for low bandwidth multimode applications and available in LC, SC and ST connectors styles in 3mm/2mm boot sizes.

ADC KRONE recommends the use of fusion spliced pigtails or factory pre-terminated cable assemblies for high bandwidth S/M and OM3 applications.



LC Multimode Connector



SC Multimode Connector

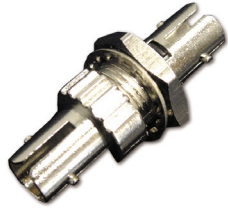


ST Multimode Connector

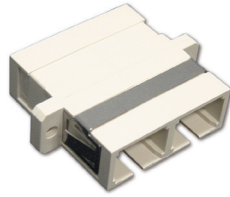
Ordering Information

Description	Quantity	Colour	Product No.
SC Multimode Connector 3mm Boot	Bag of 10	Beige	6643 1 012-00
ST Multimode Connector 3mm Boot	Bag of 10	Grey	6643 1 010-00
LC Multimode Connector 2mm Boot	Bag of 10	Beige	6877 1 101-01
SC Multimode Connector 0.9mm Boot	Bag of 10	Beige	6643 1 012-01
ST Multimode Connector 0.9mm Boot	Bag of 10	Grey	6643 1 010-01
LC Multimode Connector 0.9mm Boot	Bag of 10	Beige	6877 1 101-00
SC Singlemode Connector 3mm Boot High Tolerance	Bag of 10	Blue	6643 1 013-00HT
SC Singlemode Connector 0.9mm Boot	Bag of 10	Blue	6643 1 013-01

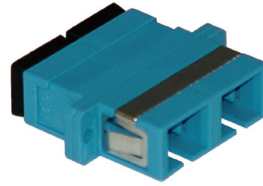
Adaptors



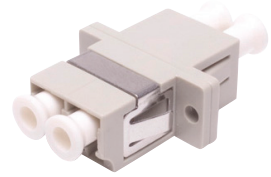
ST Multimode Adaptor



SC Duplex Multimode Adaptor



SC Duplex Singlemode Adaptor



LC Duplex Multimode Adaptor

Ordering Information

Description	Quantity	Colour	Product No.
SC Simplex Multimode Adaptor	Bag of 10	Beige	6643 1 021-02
SC Simplex Singlemode Adaptor	Bag of 10	Blue	6643 1 021-03
SC Duplex Multimode Adaptor	Bag of 10	Beige	6643 1 021-04
SC Duplex Singlemode Adaptor	Bag of 10	Blue	6643 1 021-05
SC/APC Duplex Singlemode Adaptor	Bag of 10	Green	6643 1 021-06
LC Multimode (SC Simplex Footprint)	Bag of 1	Beige	OCO-7048 1 021-00
LC Singlemode (SC Simplex Footprint)	Bag of 1	Blue	OCO-7048 1 019-00
MTRJ Multimode (SC Simplex Footprint)	Bag of 10	Beige	6877 1 112-00
ST Multimode Adaptor	Bag of 10	Grey	6643 1 021-00
ST Singlemode Adaptor	Bag of 10	Grey	6643 1 021-01

Fibre Solutions

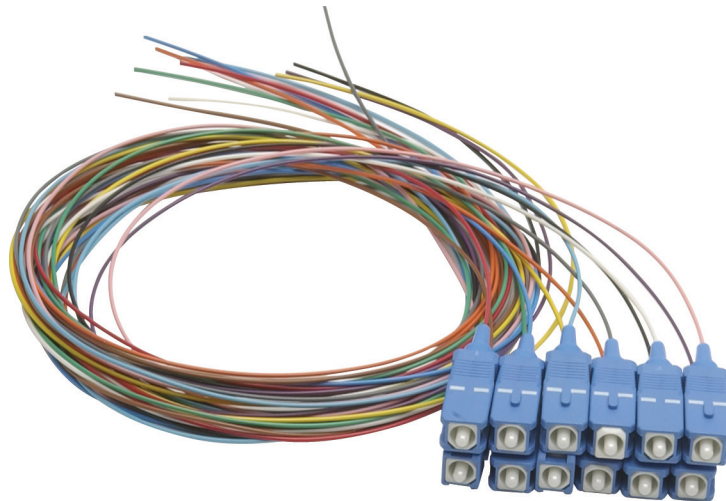
Pigtails and Patch Cord Assemblies

Pigtails

ADC KRONE offers an extensive collection of fibre optic patch cord assemblies used throughout high-speed networks in cross-connect, test, or equipment areas to link optical equipment. Our patch cords undergo an extensive manufacturing and inspection process to ensure the performance requirements of your high-speed network are met.

Multiple cable and connector types are available to provide one-stop cable and connectorisation source. The factory installed connectorisation saves time and is made to meet customer-specific application requirements.

Manufactured with advanced techniques, these are 100 percent optically tested, with a visual inspection of all features, guaranteeing performance specifications.



SC Simplex Singlemode Pigtails – 1.5m

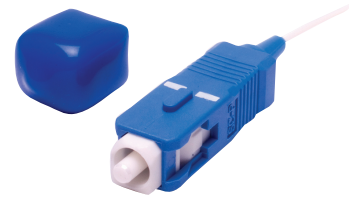
Fibre Solutions

Pigtails and Patch Cord Assemblies

Standard Pigtails

As an integral part of the TrueNet® Fibre Connectivity product portfolio, ADC KRONE's multimode and Singlemode fibre optic pigtail and patch cords assemblies are essential to meet the requirements of today's high-speed data networks.

To ensure optimum system performance, ADC KRONE recommends the use of fibre pigtail assemblies in preference to field installed connectors.



Pigtail SC Singlemode



Pigtail LC Multimode

Ordering Information

Description	Product No.	Quantity
Fibre pigtail SM 9/125 SC Simplex 1.5m	6881 1 110-1015	Bag of 1
Fibre pigtail SM 9/125 LC Simplex 1.5m	6881 1 180-1015	Bag of 1
Fibre pigtail MM 62.5/125 SC Simplex 1.5m	6881 3 110-1015	Bag of 1
Fibre pigtail MM 62.5/125 LC Simplex 1.5m	6881 3 180-1015	Bag of 1
Fibre pigtail MM OM3 SC Simplex 1.5m	6881 4 110-1015	Bag of 1
Fibre pigtail MM OM3 LC Simplex 1.5m	6881 4 180-1015	Bag of 1

Fibre Solutions

Pigtails and Patch Cord Assemblies

Standard Patch Cords

As an integral part of the TrueNet® Fibre Connectivity product portfolio, ADC KRONE's multimode and singlemode fibre optic pigtail and patch cord assemblies are essential to meet the requirements of today's high-speed data networks.



Standard Patch Cords

- Multiple cable types and connector types available to provide one-stop cable and connectorisation source.
- Readily available in LC, SC, MTRJ and ST combinations in standard lengths of 1, 2, 3 and 5 metre.
- Offered in standard fibre types of OM3 (50 micron, laser optimised to 300 metres), OM1 (62.5 micron) and OS1 (9 micron).
- 100 percent optically tested.
- All patch cords are shipped with insertion loss tests for individual cords.

Ordering Information

Description	Product No.	Quantity
Fibre Patchcord MM 62.5/125 SC-SC Duplex 1Mtr	6881 3 511 - 1010OR	Bag of 1
Fibre Patchcord MM 62.5/125 SC-SC Duplex 2Mtr	6881 3 511 - 1020OR	Bag of 1
Fibre Patchcord MM 62.5/125 SC-SC Duplex 3Mtr	6881 3 511 - 1030OR	Bag of 1
Fibre Patchcord MM 62.5/125 SC-SC Duplex 5Mtr	6881 3 511 - 1050OR	Bag of 1
Fibre Patchcord MM 62.5/125 SC-SC Duplex 10Mtr	6881 3 511 - 1100OR	Bag of 1
Fibre Patchcord MM 62.5/125 SC-SC Duplex 15Mtr	6881 3 511 - 1150OR	Bag of 1
Fibre Patchcord MM 62.5/125 SC-ST Duplex 1Mtr	6881 3 515 - 1010OR	Bag of 1
Fibre Patchcord MM 62.5/125 SC-ST Duplex 2Mtr	6881 3 515 - 1020OR	Bag of 1
Fibre Patchcord MM 62.5/125 SC-ST Duplex 3Mtr	6881 3 515 - 1030OR	Bag of 1
Fibre Patchcord MM 62.5/125 SC-ST Duplex 5Mtr	6881 3 515 - 1050OR	Bag of 1
Fibre Patchcord MM 62.5/125 SC-ST Duplex 10Mtr	6881 3 515 - 1100OR	Bag of 1
Fibre Patchcord MM 62.5/125 SC-ST Duplex 15Mtr	6881 3 515 - 1150OR	Bag of 1
Fibre Patchcord MM 62.5/125 SC-MTRJ Duplex 1Mtr	6881 3 416 - 1010OR	Bag of 1
Fibre Patchcord MM 62.5/125 SC-MTRJ Duplex 2Mtr	6881 3 416 - 1020OR	Bag of 1
Fibre Patchcord MM 62.5/125 SC-MTRJ Duplex 3Mtr	6881 3 416 - 1030OR	Bag of 1
Fibre Patchcord MM 62.5/125 SC-MTRJ Duplex 5Mtr	6881 3 416 - 1050OR	Bag of 1
Fibre Patchcord MM 62.5/125 SC-MTRJ Duplex 10Mtr	6881 3 416 - 1100OR	Bag of 1
Fibre Patchcord MM 62.5/125 SC-MTRJ Duplex 15Mtr	6881 3 416 - 1150OR	Bag of 1
Fibre Patchcord MM 62.5/125 SC-LC Duplex 1Mtr	6881 3 418 - 1010OR	Bag of 1
Fibre Patchcord MM 62.5/125 SC-LC Duplex 2Mtr	6881 3 418 - 1020OR	Bag of 1
Fibre Patchcord MM 62.5/125 SC-LC Duplex 3Mtr	6881 3 418 - 1030OR	Bag of 1
Fibre Patchcord MM 62.5/125 SC-LC Duplex 5Mtr	6881 3 418 - 1050OR	Bag of 1
Fibre Patchcord MM 62.5/125 SC-LC Duplex 10Mtr	6881 3 418 - 1100OR	Bag of 1
Fibre Patchcord MM 62.5/125 SC-LC Duplex 15Mtr	6881 3 418 - 1150OR	Bag of 1
Fibre Patchcord MM 62.5/125 LC-LC Duplex 1Mtr	6881 3 488 - 1010OR	Bag of 1
Fibre Patchcord MM 62.5/125 LC-LC Duplex 2Mtr	6881 3 488 - 1020OR	Bag of 1
Fibre Patchcord MM 62.5/125 LC-LC Duplex 3Mtr	6881 3 488 - 1030OR	Bag of 1
Fibre Patchcord MM 62.5/125 LC-LC Duplex 5Mtr	6881 3 488 - 1050OR	Bag of 1
Fibre Patchcord MM 62.5/125 LC-LC Duplex 10Mtr	6881 3 488 - 1100OR	Bag of 1
Fibre Patchcord MM 62.5/125 LC-LC Duplex 15Mtr	6881 3 488 - 1150OR	Bag of 1

Ordering Information		
Description	Product No.	Quantity
Fibre Patchcord MM 50/125 SC-SC Duplex 1Mtr	6881 2 511 - 1010OR	Bag of 1
Fibre Patchcord MM 50/125 SC-SC Duplex 2Mtr	6881 2 511 - 1020OR	Bag of 1
Fibre Patchcord MM 50/125 SC-SC Duplex 3Mtr	6881 2 511 - 1030OR	Bag of 1
Fibre Patchcord MM 50/125 SC-SC Duplex 5Mtr	6881 2 511 - 1050OR	Bag of 1
Fibre Patchcord MM 50/125 SC-SC Duplex 10Mtr	6881 2 511 - 1100OR	Bag of 1
Fibre Patchcord MM 50/125 SC-SC Duplex 15Mtr	6881 2 511 - 1150OR	Bag of 1
Fibre Patchcord MM 50/125 SC-ST Duplex 1Mtr	6881 2 511 - 1010OR	Bag of 1
Fibre Patchcord MM 50/125 SC-ST Duplex 2Mtr	6881 2 515 - 1020OR	Bag of 1
Fibre Patchcord MM 50/125 SC-ST Duplex 3Mtr	6881 2 515 - 1030OR	Bag of 1
Fibre Patchcord MM 50/125 SC-ST Duplex 5Mtr	6881 2 515 - 1050OR	Bag of 1
Fibre Patchcord MM 50/125 SC-ST Duplex 10Mtr	6881 2 515 - 1100OR	Bag of 1
Fibre Patchcord MM 50/125 SC-ST Duplex 15Mtr	6881 2 515 - 1150OR	Bag of 1
Fibre Patchcord MM 50/125 SC-MTRJ Duplex 1Mtr	6881 2 416 - 1110OR	Bag of 1
Fibre Patchcord MM 50/125 SC-MTRJ Duplex 2Mtr	6881 2 416 - 1020OR	Bag of 1
Fibre Patchcord MM 50/125 SC-MTRJ Duplex 3Mtr	6881 2 416 - 1030OR	Bag of 1
Fibre Patchcord MM 50/125 SC-MTRJ Duplex 5Mtr	6881 2 416 - 1050OR	Bag of 1
Fibre Patchcord MM 50/125 SC-MTRJ Duplex 10Mtr	6881 2 416 - 1100OR	Bag of 1
Fibre Patchcord MM 50/125 SC-MTRJ Duplex 15Mtr	6881 2 416 - 1150OR	Bag of 1
Fibre Patchcord MM 50/125 SC-LC Duplex 1Mtr	6881 2 418 - 1010OR	Bag of 1
Fibre Patchcord MM 50/125 SC-LC Duplex 2Mtr	6881 2 418 - 1020OR	Bag of 1
Fibre Patchcord MM 50/125 SC-LC Duplex 3Mtr	6881 2 418 - 1030OR	Bag of 1
Fibre Patchcord MM 50/125 SC-LC Duplex 5Mtr	6881 2 418 - 1050OR	Bag of 1
Fibre Patchcord MM 50/125 SC-LC Duplex 10Mtr	6881 2 418 - 1100OR	Bag of 1
Fibre Patchcord MM 50/125 SC-LC Duplex 15Mtr	6881 2 418 - 1150OR	Bag of 1
Fibre Patchcord MM 50/125 LC-LC Duplex 1Mtr	6881 2 488 - 1010OR	Bag of 1
Fibre Patchcord MM 50/125 LC-LC Duplex 2Mtr	6881 2 488 - 1020OR	Bag of 1
Fibre Patchcord MM 50/125 LC-LC Duplex 3Mtr	6881 2 488 - 1030OR	Bag of 1
Fibre Patchcord MM 50/125 LC-LC Duplex 5Mtr	6881 2 488 - 1050OR	Bag of 1
Fibre Patchcord MM 50/125 LC-LC Duplex 10Mtr	6881 2 488 - 1100OR	Bag of 1
Fibre Patchcord MM 50/125 LC-LC Duplex 15Mtr	6881 2 488 - 1150OR	Bag of 1
Fibre Patchcord SM 9/125 SC-SC Duplex 1Mtr	6881 1 511 - 1010YL	Bag of 1
Fibre Patchcord SM 9/125 SC-SC Duplex 2Mtr	6881 1 511 - 1020YL	Bag of 1
Fibre Patchcord SM 9/125 SC-SC Duplex 3Mtr	6881 1 511 - 1030YL	Bag of 1
Fibre Patchcord SM 9/125 SC-SC Duplex 5Mtr	6881 1 511 - 1050YL	Bag of 1
Fibre Patchcord SM 9/125 SC-SC Duplex 10Mtr	6881 1 511 - 1100YL	Bag of 1
Fibre Patchcord SM 9/125 SC-SC Duplex 15Mtr	6881 1 511 - 1150YL	Bag of 1
Fibre Patchcord SM 9/125 SC-ST Duplex 1Mtr	6881 1 515 - 1010YL	Bag of 1
Fibre Patchcord SM 9/125 SC-ST Duplex 2Mtr	6881 1 515 - 1020YL	Bag of 1
Fibre Patchcord SM 9/125 SC-ST Duplex 3Mtr	6881 1 515 - 1030YL	Bag of 1
Fibre Patchcord SM 9/125 SC-ST Duplex 5Mtr	6881 1 515 - 1050YL	Bag of 1
Fibre Patchcord SM 9/125 SC-ST Duplex 10Mtr	6881 1 515 - 1100YL	Bag of 1
Fibre Patchcord SM 9/125 SC-ST Duplex 15Mtr	6881 1 515 - 1150YL	Bag of 1
Fibre Patchcord SM 9/125 SC-MTRJ Duplex 1Mtr	6881 1 416 - 1010YL	Bag of 1
Fibre Patchcord SM 9/125 SC-MTRJ Duplex 2Mtr	6881 1 416 - 1020YL	Bag of 1
Fibre Patchcord SM 9/125 SC-MTRJ Duplex 3Mtr	6881 1 416 - 1030YL	Bag of 1
Fibre Patchcord SM 9/125 SC-MTRJ Duplex 5Mtr	6881 1 416 - 1050YL	Bag of 1
Fibre Patchcord SM 9/125 SC-MTRJ Duplex 10Mtr	6881 1 416 - 1100YL	Bag of 1
Fibre Patchcord SM 9/125 SC-MTRJ Duplex 15Mtr	6881 1 416 - 1150YL	Bag of 1

Ordering Information

Description	Product No.	Quantity
Fibre Patchcord SM 9/125 SC-LC Duplex 1Mtr	6881 1 418 - 1010YL	Bag of 1
Fibre Patchcord SM 9/125 SC-LC Duplex 2Mtr	6881 1 418 - 1020YL	Bag of 1
Fibre Patchcord SM 9/125 SC-LC Duplex 3Mtr	6881 1 418 - 1030YL	Bag of 1
Fibre Patchcord SM 9/125 SC-LC Duplex 5Mtr	6881 1 418 - 1050YL	Bag of 1
Fibre Patchcord SM 9/125 SC-LC Duplex 10Mtr	6881 1 418 - 1100YL	Bag of 1
Fibre Patchcord SM 9/125 SC-LC Duplex 15Mtr	6881 1 418 - 1150YL	Bag of 1
Fibre Patchcord SM 9/125 LC-LC Duplex 1Mtr	6881 1 488 - 1010YL	Bag of 1
Fibre Patchcord SM 9/125 LC-LC Duplex 2Mtr	6881 1 488 - 1020YL	Bag of 1
Fibre Patchcord SM 9/125 LC-LC Duplex 3Mtr	6881 1 488 - 1030YL	Bag of 1
Fibre Patchcord SM 9/125 LC-LC Duplex 5Mtr	6881 1 488 - 1050YL	Bag of 1
Fibre Patchcord SM 9/125 LC-LC Duplex 10Mtr	6881 1 488 - 1100YL	Bag of 1
Fibre Patchcord SM 9/125 LC-LC Duplex 15Mtr	6881 1 488 - 1150YL	Bag of 1
Fibre Pigtail SM 9/125 SC Simplex 1.5M	6881 1 110 - 1015	Bag of 1
Fibre Patchcord MM OM3 SC-SC Duplex 2Mtr	6881 4 511 - 1020OR	Bag of 1
Fibre Patchcord MM OM3 SC-SC Duplex 3Mtr	6881 4 511 - 1030OR	Bag of 1
Fibre Patchcord MM OM3 SC-SC Duplex 5Mtr	6881 4 511 - 1050OR	Bag of 1
Fibre Patchcord MM OM3 SC-SC Duplex 10Mtr	6881 4 511 - 1100OR	Bag of 1
Fibre Patchcord MM OM3 SC-SC Duplex 15Mtr	6881 4 511 - 1150OR	Bag of 1
Fibre Patchcord MM OM3 SC-ST Duplex 1Mtr	6881 4 515 - 1010OR	Bag of 1
Fibre Patchcord MM OM3 SC-ST Duplex 2Mtr	6881 4 515 - 1020OR	Bag of 1
Fibre Patchcord MM OM3 SC-ST Duplex 3Mtr	6881 4 515 - 1030OR	Bag of 1
Fibre Patchcord MM OM3 SC-ST Duplex 5Mtr	6881 4 515 - 1050OR	Bag of 1
Fibre Patchcord MM OM3 SC-ST Duplex 10Mtr	6881 4 515 - 1100OR	Bag of 1
Fibre Patchcord MM OM3 SC-ST Duplex 15Mtr	6881 4 515 - 1150OR	Bag of 1
Fibre Patchcord MM OM3 SC-MTRJ Duplex 1Mtr	6881 4 416 - 1010OR	Bag of 1
Fibre Patchcord MM OM3 SC-MTRJ Duplex 2Mtr	6881 4 416 - 1020OR	Bag of 1
Fibre Patchcord MM OM3 SC-MTRJ Duplex 3Mtr	6881 4 416 - 1030OR	Bag of 1
Fibre Patchcord MM OM3 SC-MTRJ Duplex 5Mtr	6881 4 416 - 1050OR	Bag of 1
Fibre Patchcord MM OM3 SC-MTRJ Duplex 10Mtr	6881 4 416 - 1100OR	Bag of 1
Fibre Patchcord MM OM3 SC-MTRJ Duplex 15Mtr	6881 4 416 - 1150OR	Bag of 1
Fibre Patchcord MM OM3 SC-LC Duplex 1Mtr	6881 4 418 - 1010OR	Bag of 1
Fibre Patchcord MM OM3 SC-LC Duplex 2Mtr	6881 4 418 - 1020OR	Bag of 1
Fibre Patchcord MM OM3 SC-LC Duplex 3Mtr	6881 4 418 - 1030OR	Bag of 1
Fibre Patchcord MM OM3 SC-LC Duplex 5Mtr	6881 4 418 - 1050OR	Bag of 1
Fibre Patchcord MM OM3 SC-LC Duplex 10Mtr	6881 4 418 - 1100OR	Bag of 1
Fibre Patchcord MM OM3 SC-LC Duplex 15Mtr	6881 4 418 - 1150OR	Bag of 1
Fibre Patchcord MM OM3 LC-LC Duplex 1Mtr	6881 4 488 - 1010OR	Bag of 1
Fibre Patchcord MM OM3 LC-LC Duplex 2Mtr	6881 4 488 - 1020OR	Bag of 1
Fibre Patchcord MM OM3 LC-LC Duplex 3Mtr	6881 4 488 - 1030OR	Bag of 1
Fibre Patchcord MM OM3 LC-LC Duplex 5Mtr	6881 4 488 - 1050OR	Bag of 1
Fibre Patchcord MM OM3 LC-LC Duplex 10Mtr	6881 4 488 - 1100OR	Bag of 1
Fibre Patchcord MM OM3 LC-LC Duplex 15Mtr	6881 4 488 - 1150OR	Bag of 1

Fibre Solutions

Work Area Solutions

6-port All-fit Multimedia Box

The box may be mounted in a standard NEMA outlet box, surface mounted or in modular furniture. Compatible with modular outlets and connectors. Will accommodate SC bezel for fibre requirements in a low profile compact design.



6-port All-fit

Ordering Information

Description	Quantity	Colour	Product No.
6-port all-fit	Bag of 1	White	6644 2 202-01
6-port all-fit	Bag of 1	Grey	6644 2 202-03

4-port Angled Face Plate

Ideal for installations where the wall cavity is not deep enough or to improve bend radius requirements and FTTX applications. Suits Keystone style copper and fibre adaptors.



4-port Angled Face Plate

Ordering Information

Description	Quantity	Colour	Product No.
4-port Angled Face Plate	Bag of 1	White	6644 1 174-01
Keystone Blank Inserts	Bag of 25	White	6645 1 160-01

Highlight SC Duplex Bezel Adaptor

Designed to fit the 6-port all fit Multimedia Box. 1 to 3 SC Duplex adaptors can be used per box depending on the configuration required.



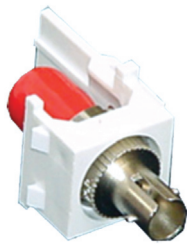
SC Duplex Bezel Adaptors

Ordering Information

Description	Quantity	Colour	Product No.
SC Duplex Bezel Adaptors	Bag of 6	White	6877 2 027-00

Fibre Modular Keystone Mount Adaptors

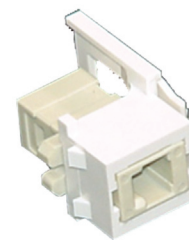
For use in 4-port angled faceplate and 6-port all fit multimedia box.



Keystone Mount ST Adaptor



Keystone Mount SC Adaptor



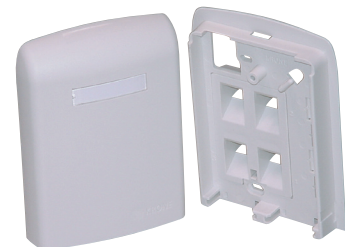
Keystone Mount MTRJ Adaptor

Ordering Information

Description	Quantity	Colour	Product No.
Keystone Mount ST Adaptor	Bag of 1	White	6645 1 158-01
Keystone Mount SC Adaptor	Bag of 1	White	6645 1 167-01
Keystone Mount MTRJ Adaptor	Bag of 1	White	6645 1 170-01
Keystone Mount LC Adaptor	Bag of 1	White	6645 1 172-01
Keystone Blanks	Bag of 25	White	6645 1 160-01

Single Gang Concealed Entrance Outlet (CEO)

Single gang accepts 4 connectors and 1 duplex SC or 2 duplex SC connectors. Includes clear window, paper label, 6 ID tabs, mounting screws, base cover and 1, 4-port bezel.



Single Gang Concealed Entrance Outlet (CEO)

Ordering Information

Description	Quantity	Colour	Product No.
Single Gang CEO	Bag of 1	White	6644 1 184-01

OMX High Density System

ADC KRONE's OMX600™ optical distribution frame is a high density, modular, front access optical distribution frame. It terminates and splices up to 576 fibres in a compact 600mm x 300mm footprint. Patented angled adaptor/retainers and cable management design protect cables and connectors while ensuring correct bend radii. The modular frame can be configured to include enhanced signal management functions such as splitters, couplers, and wavelength division multiplexers.



High-Density

As the number of installed fibres grows, and the amount of available floor space diminishes, data centre operators and service providers need a frame that handles large amounts of fibre and conserves space.

The OMX 600™ can terminate and splice up to 576 fibres in a 600mm x 300mm footprint.

600mm Footprint

The OMX 600™ frame is 600mm wide and 300mm deep. Two frames can be mounted back-to-back to fill one 600mm x 600mm floor tile. The frame can also be mounted against a wall.

Modular Design

The OMX 600™ is a modular system that allows data centre operators and service providers to utilise one system for various optical distribution frame applications, depending on their needs and the needs of their customers.

Total Front-Access Frame

The OMX 600™ can be installed back-to-back or against a wall to save valuable office floor space. Technicians have complete access to all fibre terminations and splices from the front of the frame.

Superior Cable Management

The total front-access OMX 600™ fibre frame protects cables and connectors through use of ADC KRONE's patented angled adaptors/retainers and bend radius protecting design.

For further information and configuration support, please contact your local sales representative.

NGF- Next Generation Frame High Density

Frames

ADC KRONE developed its innovative Next Generation Frame (NGF) for high-fibre count applications. At 2304 terminations in a single frame, its unique, user-friendly design and superior cable management provide enterprise customers an optimum solution to handle applications with high fibre counts such as data centres. Traditionally offered in putty white, the NGF now comes in a black colour.

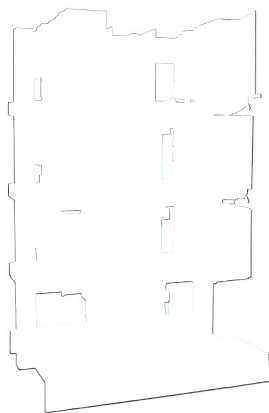
ADC KRONE's Next Generation Frame product line is designed to fit a variety of termination, splice, and storage applications. This frame is designed with an emphasis on superior cable management and ease of use, including features such as ample trough space for cable and jumpers, easy access to connectors, and storage for jumpers. The frame sections are shipped from the factory fully equipped with all cable management hardware including a built-in jumper storage panel.

Fibre Termination Blocks (FTB)

Fibre Termination Blocks (FTBs) are available with SC adaptors in block configurations of 96- and 144-positions, and with LC adaptors in 144- and 192-positions. FTBs utilise sliding adaptor packs to gain easy access to both the front and rear connectors. There is also a block configuration available to accommodate Mini Value-Added Modules (Mini-VAMs) for applications requiring splitters or WDMs. FTBs can be ordered with adaptors only or with factory terminated IFC or outside plant cable.

Fibre Combination Blocks (FCB)

Fibre Combination Blocks (FCBs) provide termination and on-frame splicing capabilities, all in one block. They are available with SC adaptors in block configurations of 96- or 144-positions, or with LC adaptors in 144- or 192-positions.



NGF- Next Generation
Frame High Density

The NGF offers ample trough space, reducing jumper pile-up and congestion. The built-in Jumper Storage Panel minimises the number of required jumper lengths, maintains fibre bend radius and simplifies frame installation. The enclosed system ensures easy cable access without fibre crossover points.

Sliding adaptor packs promote high density and provide easy access to connectors which saves valuable floor space and reduces time required for operations and maintenance.

The intelligent cable routing system has no fibre crossover points. It has multiple vertical troughways which reduce maintenance time through easier removal and tracing of jumpers. It minimises fibre "weaving".

With bend radius protection at every turn, the NGF ensures network performance and reliability.

For further information and configuration support, please contact your local sales representative or ADC KRONE Technical Assistance Centre.